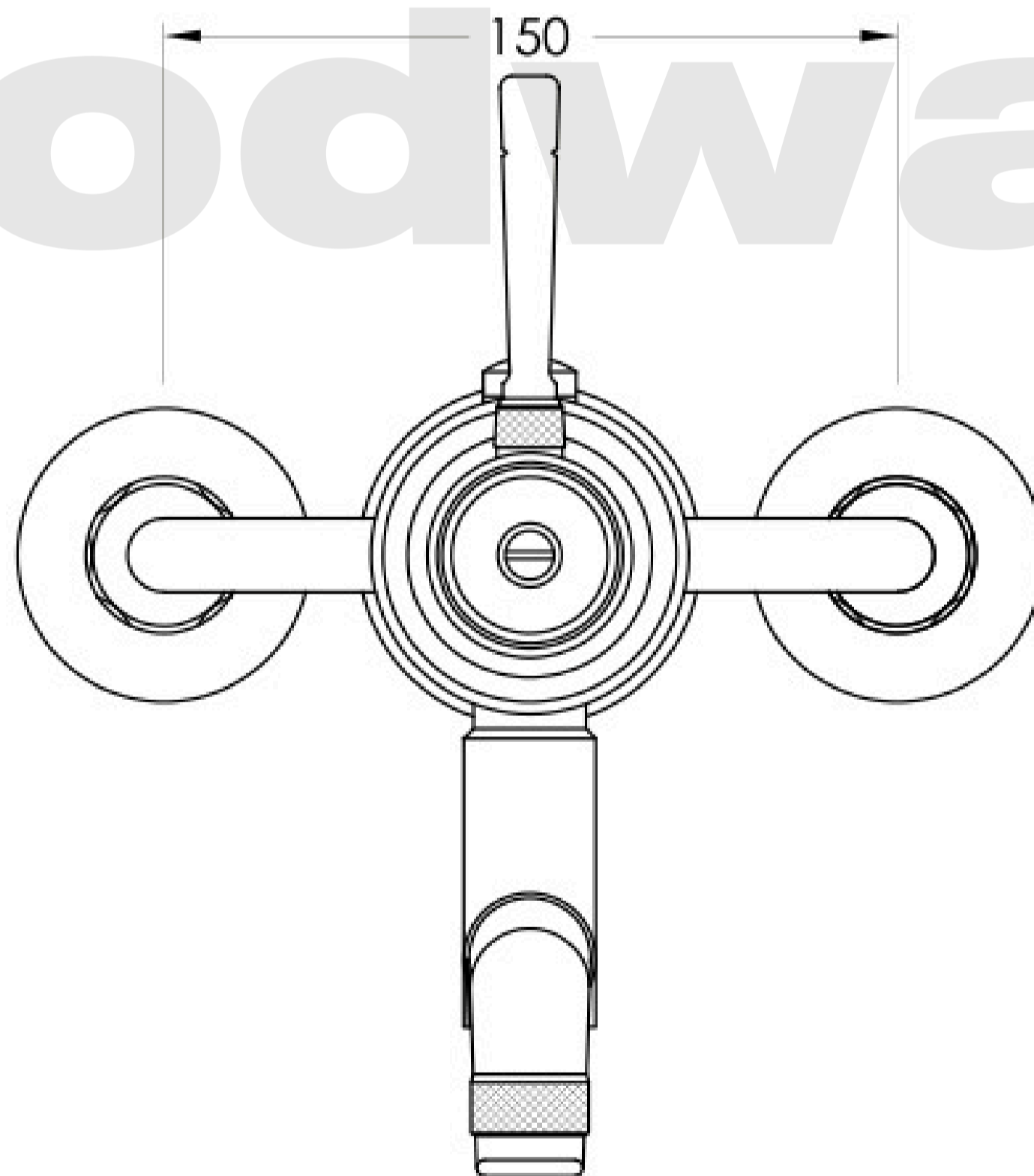


# Brodware



Note:  $\frac{1}{2}$  BSP Female fittings required in wall set at 150mm from centre to centre

**INDUSTRICA**

**1.6729.00.3.XX**

XX Indicates finish  
 Manufacturing engineers of quality commercial and residential fittings  
 Dimensions subjects to change without notice. All dimensions are approximate  
 Copyright © Brodware Pty Ltd 2016. [www.brodware.com](http://www.brodware.com)

**Brodware**