

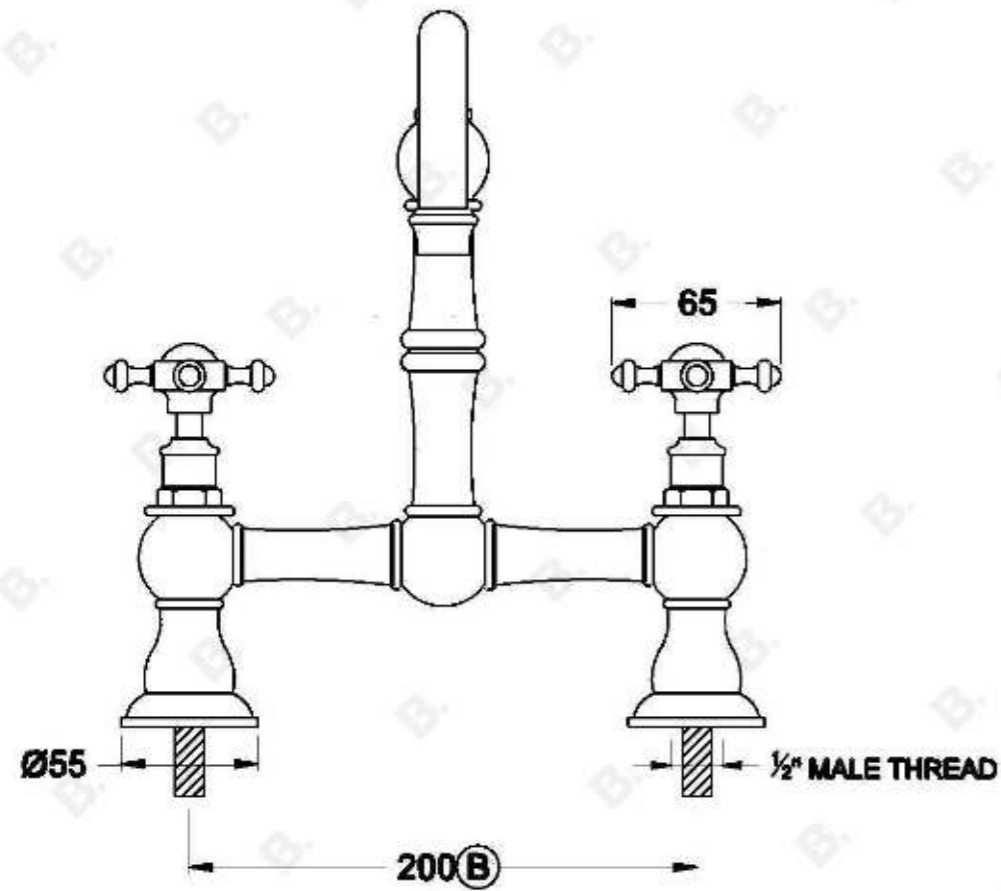
WINSLOW KITCHEN SET WITH CROSS HANDLES - JUMPER VALVE

1.8131.02.1.XX

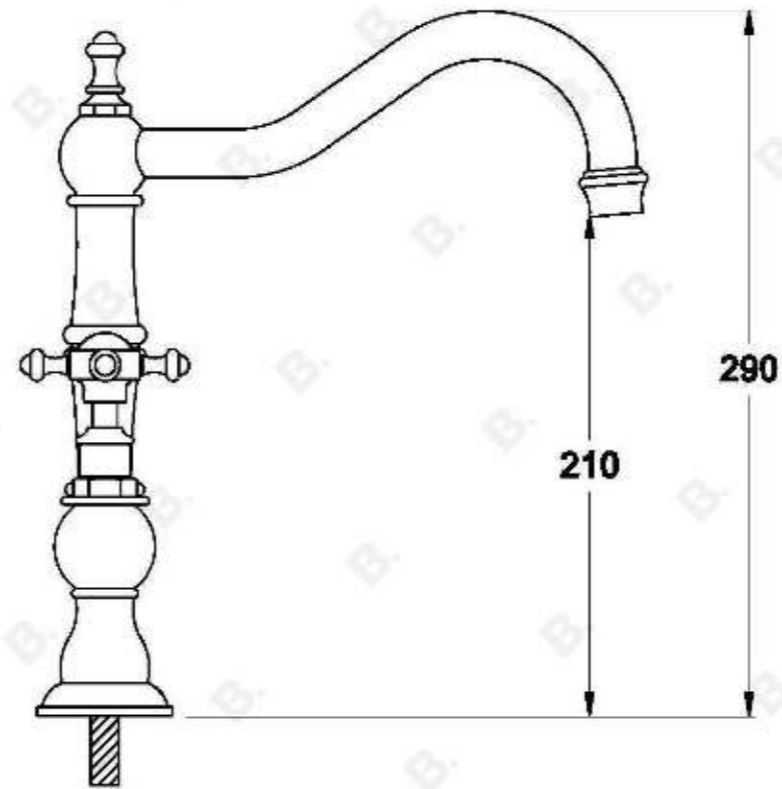


PRODUCT DIMENSIONS:

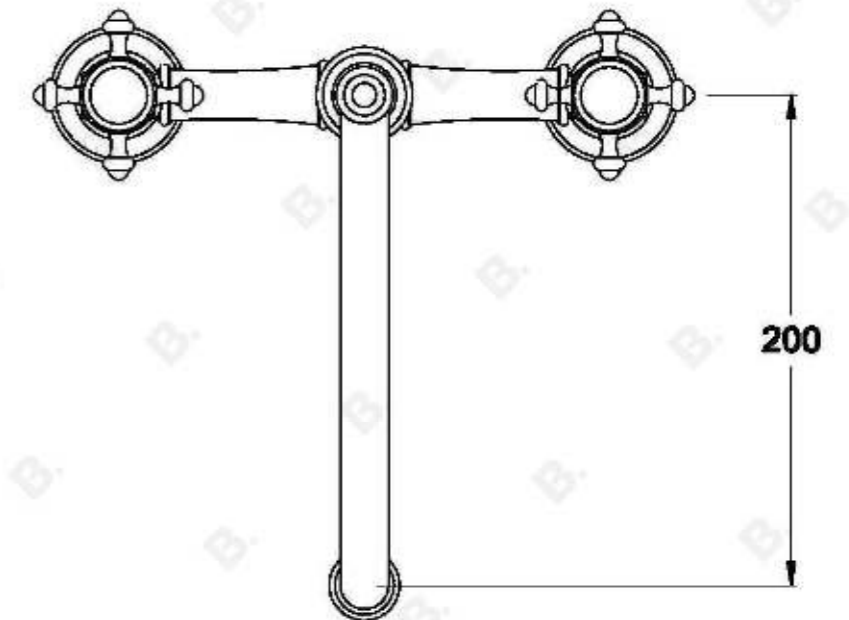
Front view:



Side view:



Top view:



B Fixed 200mm centres