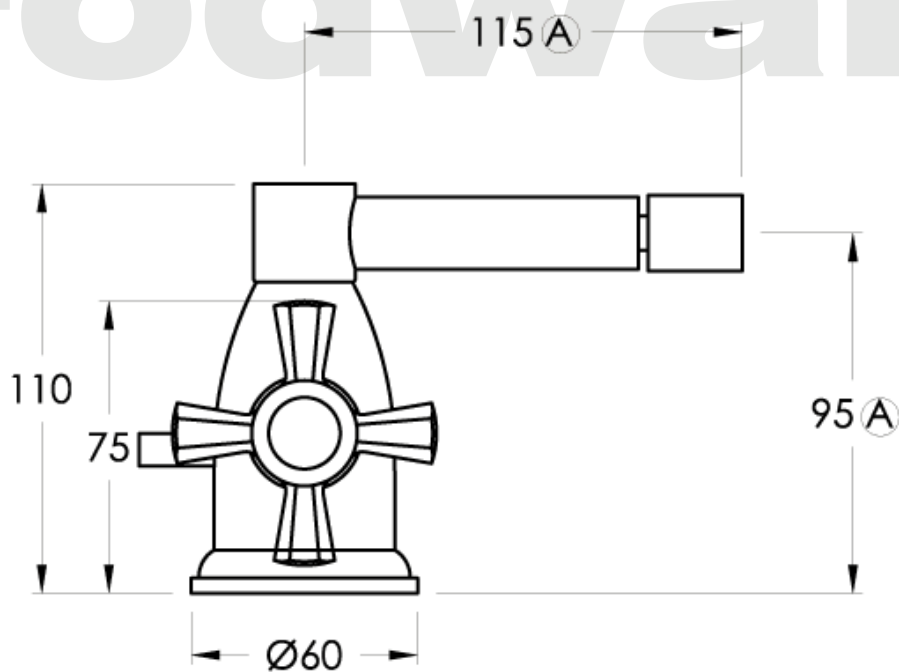


Brodware



Ⓐ Approximate distance

CLASSIQUE

1.8737.00.1.XX

XX Indicates finish
 Manufacturing engineers of quality commercial and residential fittings
 Dimensions subjects to change without notice. All dimensions are approximate
 Copyright © Brodware Industries 2013. www.brodware.com.au

BrodwareTM