

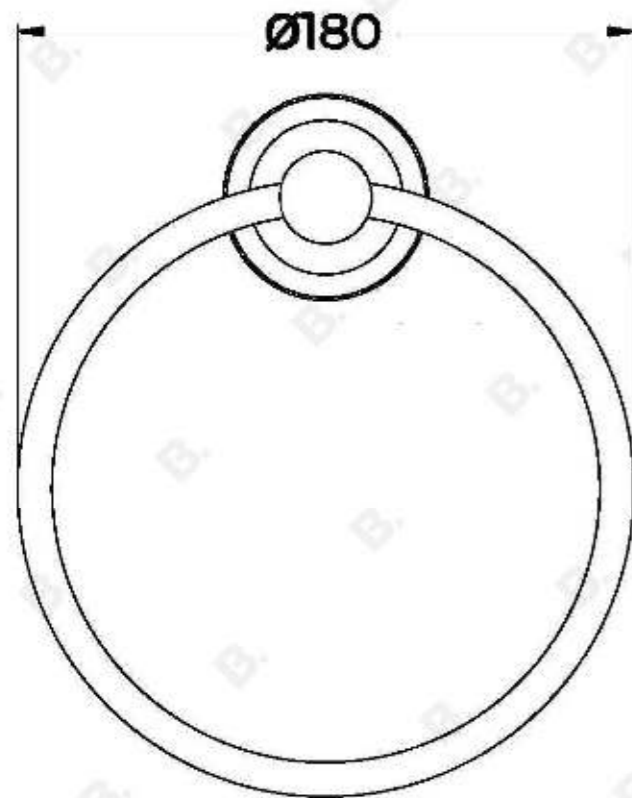
## MANHATTAN TOWEL RING

1.9151.00.0.XX

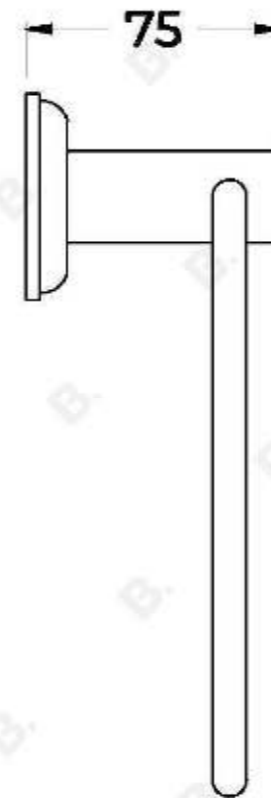


### PRODUCT DIMENSIONS:

Front view:



Side view:



Top view:

