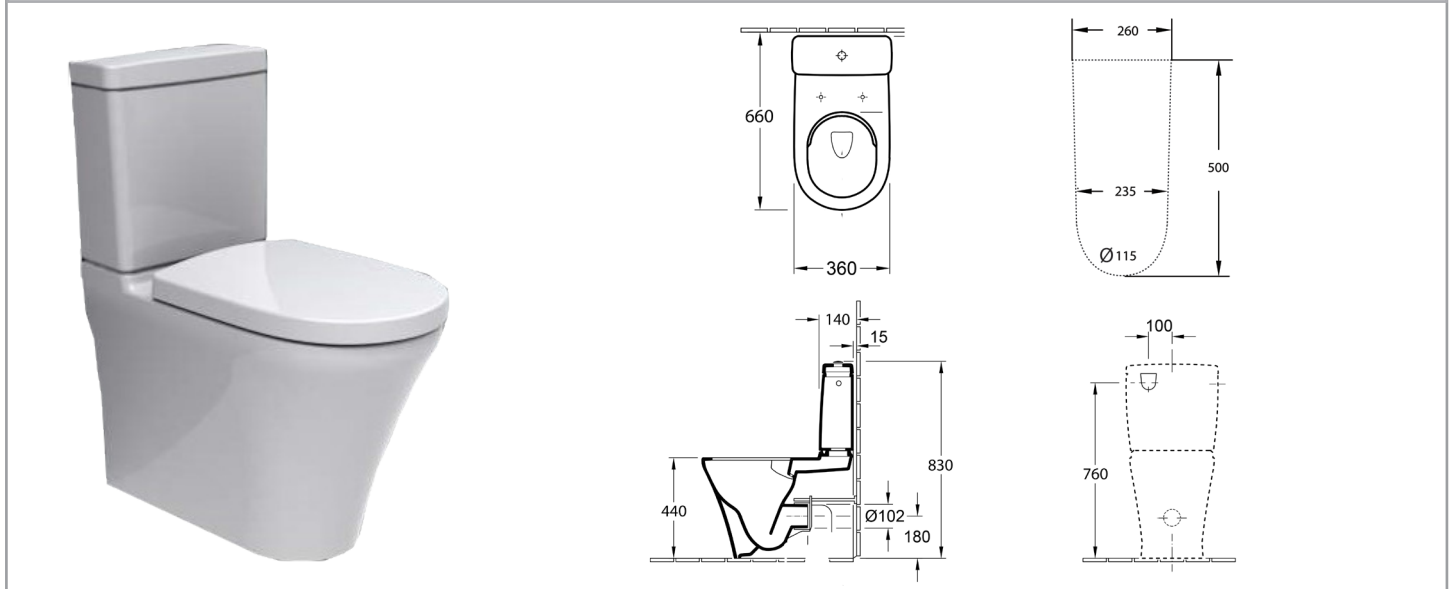


# O.NOVO 2.0 DIRECT FLUSH BTW TOILET SUITE

Product Image	Technical Specification
---------------	-------------------------



<b>Water Entry:</b>	Rear water entry requires 1/2" BSP male thread extending 10mm past the finished wall
---------------------	--

*S-Trap Set-out options	Distance from finished wall to centre of soil pipe	Vario Bend required	Installation Notes
Recommended	140mm	VT112	Supplied standard with S-trap Suites
Standard Adjustment Range	90-210mm	VT112	Supplied standard with S-trap Suites
With extension bend	160-260mm	8702	Order separately with P-Trap Suite

Description
<p>O.novo 2.0 Direct Flush BTW Toilet Suite with Rear Water Entry &amp; Soft Closing Seat</p> <p><b>4606R101S4DB</b> S-Trap  <b>4606R1R1S4DB</b> S-Trap with CeramicPlus  <b>4606R001S4B</b> P-Trap  <b>4606R0R1S4B</b> P-Trap with CeramicPlus</p>

Additional Information
<ul style="list-style-type: none"> <li>5 Year Warranty *Conditions Apply</li> </ul> <div style="display: flex; justify-content: space-around; align-items: center; margin-top: 20px;"> <div style="border: 1px solid #ccc; padding: 5px; text-align: center;"> <b>Direct Flush</b>  <small>Villeroy &amp; Boch</small> </div> <div style="border: 1px solid #ccc; padding: 5px; text-align: center;"> <b>Soft Closing</b>  <small>Villeroy &amp; Boch</small> </div> <div style="border: 1px solid #ccc; padding: 5px; text-align: center;"> <b>Ceramic Plus</b>  <small>Villeroy &amp; Boch</small> </div> <div style="text-align: center;">   <small>www.waterrating.gov.au</small> </div> </div>

