

AXOR Universal Accessories

Shelf 150/70 for shower

Surfaces: **Polished Black Chrome**

Article Number: **42802330**



Description

product features

- drilling distance 108 mm
- material: glass, metal
- wall-mounted
- adapter set no.42870000 must be used when installing on a rail
- suitable for shower
- with drain holes

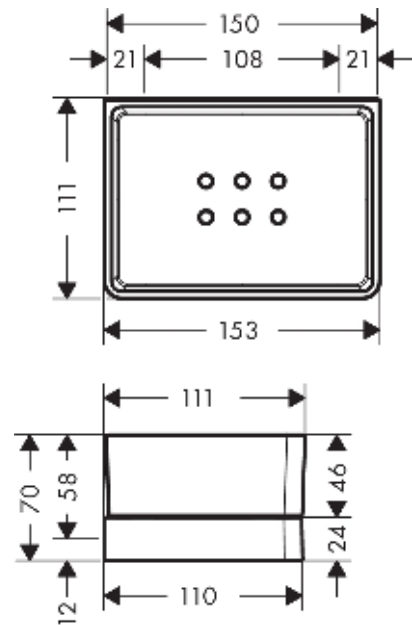
Design awards



Product image



Scale drawing



AXOR Universal Accessories

Shelf 150/70 for shower

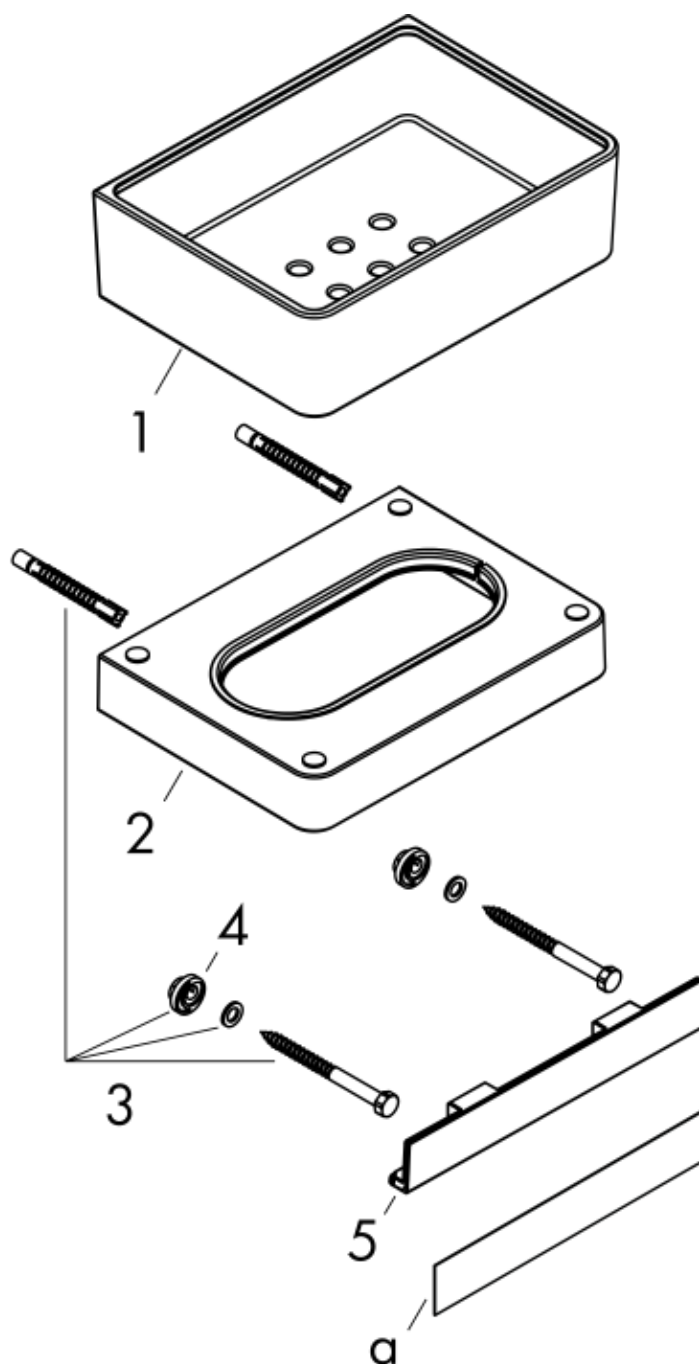
Surfaces: **Polished Black Chrome**

Article Number: **42802330**



Exploded Drawing

Year of production: >11/16



AXOR Universal Accessories

Shelf 150/70 for shower

Surfaces: **Polished Black Chrome**

Article Number: **42802330**



Spare part list

Year of production: >11/16

Pos.	Description	Article Number	PC	PU
1	soap dish	92423000	0	1
2	support element	92424330	0	1
3	mounting set	92841000	0	1
4	excentric socket	97604000	0	1
5	cover	92427330	0	1
a	cover	42890330	0	1
b	set of adapters	42870330	0	1
c	set of covers	42871330	0	1
d	mounting kit for two-sided glass montage	42841000	0	1