

AXOR ShowerSolutions

Overhead shower 460/300 2jet with shower arm and square escutcheon

Surfaces: **Chrome** Article Number: **35280000**



Description

product features

- consists of: overhead shower, shower arm
- shower head size: 460 x 300 mm
- spray type: Rain, RainStream
- shower arm length: 460 mm
- maximum flow rate at 3 bar: 18 l/min
- flow rate Rain spray (at 3 bar): 18 l/min
- flow rate RainStream spray (at 3 bar): 15 l/min
- material spray disc: metal
- spray disc removable for cleaning
- overhead shower removable for cleaning
- installation: wall-mounted - for installation on iBox
- connection dimension: DN15

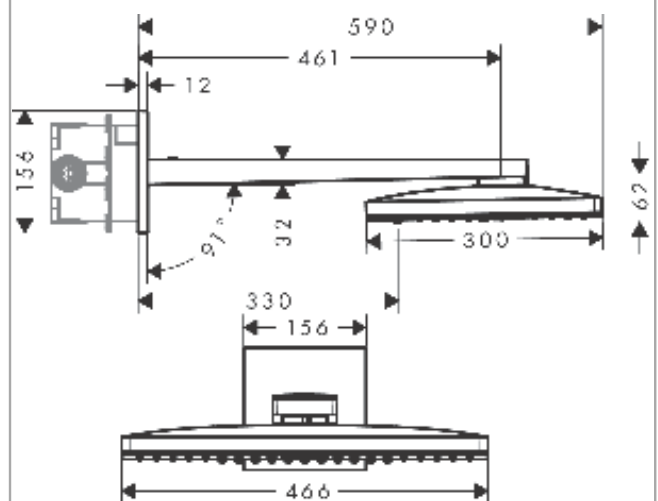
Technology



Product image



Scale drawing



AXOR ShowerSolutions

Overhead shower 460/300 2jet with shower arm and square escutcheon

Surfaces: **Chrome** Article Number: **35280000**



Flowchart



- Join
- Join5to100

The price includes the standard installation with the shower of 1 m x 0.8 m. The price is limited in all cases to reflect actual application in practice.

AXOR ShowerSolutions

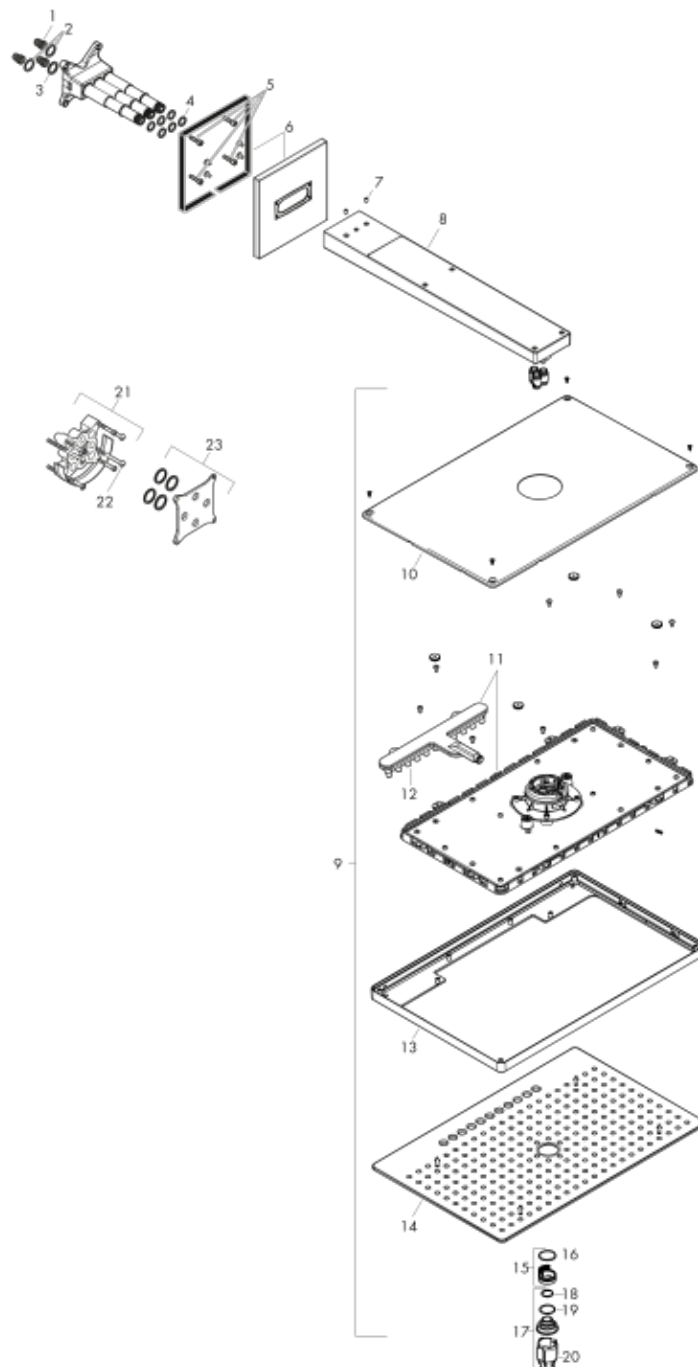
Overhead shower 460/300 2jet with shower arm and square escutcheon

Surfaces: **Chrome** Article Number: **35280000**



Exploded Drawing

Year of production: >07/17



AXOR ShowerSolutions

Overhead shower 460/300 2jet with shower arm and square escutcheon

Surfaces: **Chrome** Article Number: **35280000**



Spare part list

Year of production: >07/17

| Pos. | Description | Article Number | Price | PU |
|------|-------------------------|----------------|-------|----|
| 1 | filter | 98513000 | - | 1 |
| 2 | O-ring 16x2 | 98133000 | - | 1 |
| 3 | O-ring 18x2 | 98181000 | - | 1 |
| 4 | O-ring 12x2 | 98214000 | - | 1 |
| 5 | set of screws | 96525000 | - | 1 |
| 6 | escutcheon 155 / 155 mm | 92700000 | - | 1 |
| 7 | hollow set screw M5x8 | 92851000 | - | 1 |
| 8 | shower arm | 92701000 | - | 1 |
| 9 | head shower | 93208000 | - | 1 |
| 10 | cover | 93393000 | - | 1 |
| 11 | cartridge, assy | 93389000 | - | 1 |
| 12 | spray insert | 92923000 | - | 1 |
| 13 | frame | 93391000 | - | 1 |
| 14 | spray body | 93210000 | - | 1 |
| 15 | filter | 92683000 | - | 1 |
| 16 | O-ring 24x2 | 98388000 | - | 1 |
| 17 | spray insert | 93207000 | - | 1 |
| 18 | O-ring 15x2 | 98163000 | - | 1 |
| 19 | O-ring 21x2 | 98205000 | - | 1 |
| 20 | special tool | 92686000 | - | 1 |
| 21 | extension 25 mm | 13595000 | - | 1 |
| 22 | set of fixing screws | 97747000 | - | 1 |
| 23 | compensation set 1° | 95521000 | - | 1 |