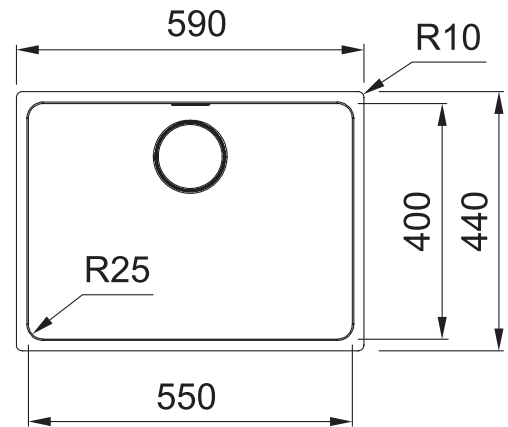


# MYTHOS

MYX110-55FPC

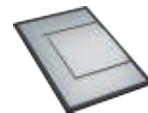


## PRODUCT INFORMATION

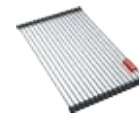
<b>Installation</b>	Undermount
<b>Dimensions</b>	590 x 440mm
<b>Cabinet Base</b>	800mm
<b>Bowl Size</b>	550 x 400 x 200mm/44L
<b>Bowl Radius</b>	25mm
<b>Cut-Out Size</b>	550 x 400mm, cr=25
<b>Cut-Out Template</b>	Yes
<b>Waste Outlet</b>	Semi Integrated Waste
<b>Overflow</b>	Yes
<b>Tap Holes</b>	No
<b>Remote Waste</b>	Yes (35mm hole required in benchtop)
<b>Finish</b>	Stainless Steel
<b>Warranty</b>	50 Years

## ACCESSORIES

— Included Accessory  
- - - Available Accessory



**DT288**  
Extension Drainer



**RM081**  
Rollamat



**PB835**  
Push Button Waste



**CBP082**  
Chopping Board



**SB398**  
Strainer Bowl

**NOTE:** Cut-out dimensions are a guide only, please use the actual sink as your template.

## FEATURES & BENEFITS



Food Preparation Centre



18/10 Stainless Steel



Push Button Remote Waste



Hidden Overflow



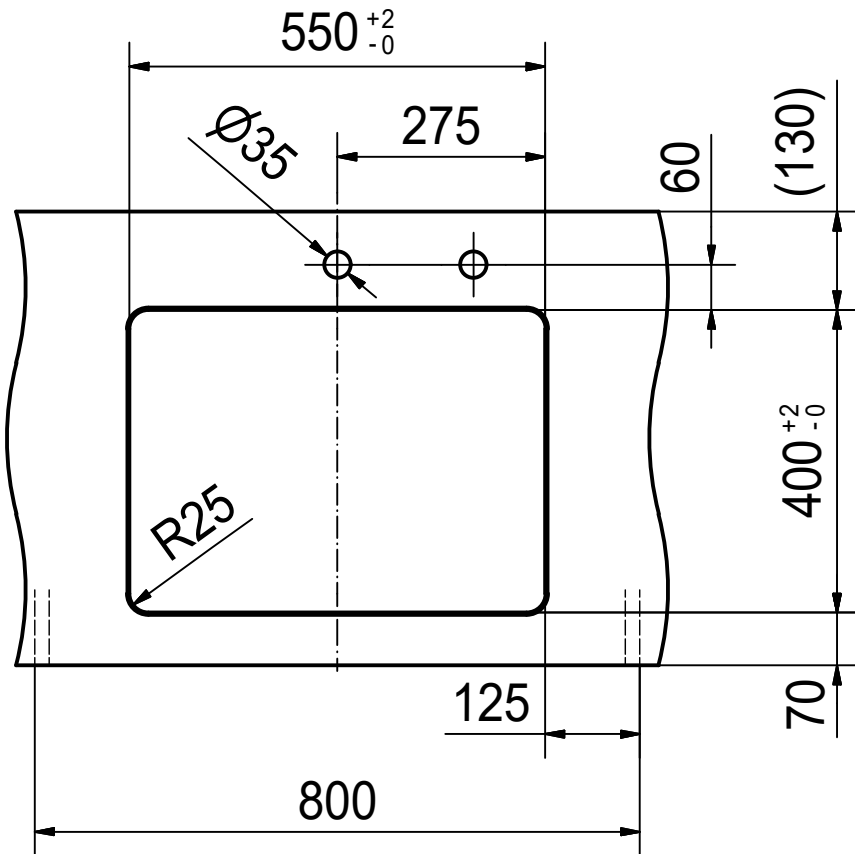
Sound Deadening Pads

BARE SINK OPTION AND SOME SINK & TAP PACKAGES DO NOT INCLUDE ACCESSORIES. PLEASE CHAT TO YOUR SALES CONSULTANT FOR FURTHER INFORMATION.

LAST UPDATED: 23 JULY 2021

**FRANKE**

CO



Drawing No.	20140296_01	Revision	
Drawn Date	06.06.2019		
<small>These drawings and specifications are the property of Franke Technology and Trademark Ltd. and shall not be reproduced, copied or transferred to any third party without the prior written permission of Franke Technology and Trademark Ltd., Hergiswil, Switzerland</small>			



MYX 110-55 I  
installing document

Sheet	Sheets
3	6