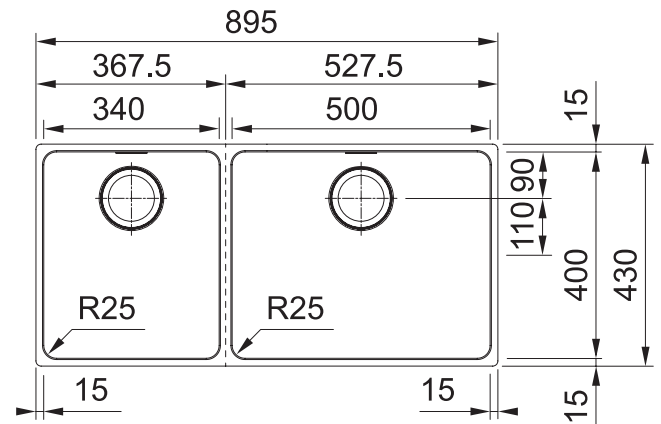


MYTHOS

MYX220-50/34FPCSBL



PRODUCT INFORMATION

Installation	Topmount/Flushmount/Undermount
Dimensions	895 x 430mm
Cabinet Base	1000mm
Bowl Size	500 x 400 x 200mm/40L 340 x 400 x 200mm/27L
Bowl Radius	25mm
Cut-Out Size	Template
Cut-Out Template	Yes (refer to attachment)
Waste Outlet	Semi Integrated Waste
Overflow	Yes
Tap Holes	No
Remote Waste	Yes (35mm hole required in benchtop)
Finish	Stainless Steel
Warranty	50 Years

NOTE: Cut-out dimensions are a guide only, please use the actual sink as your template.

FEATURES & BENEFITS



Food Preparation Centre



18/10 Stainless Steel



Push Button Remote Waste



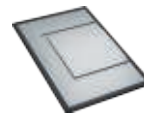
Hidden Overflow



Sound Deadening Pads

ACCESSORIES

— Included Accessory
- - - Available Accessory



DT288
Extension Drainer



RM081
Rollamat



PB835
Push Button Waste



CBP082
Chopping Board



SB398
Strainer Bowl

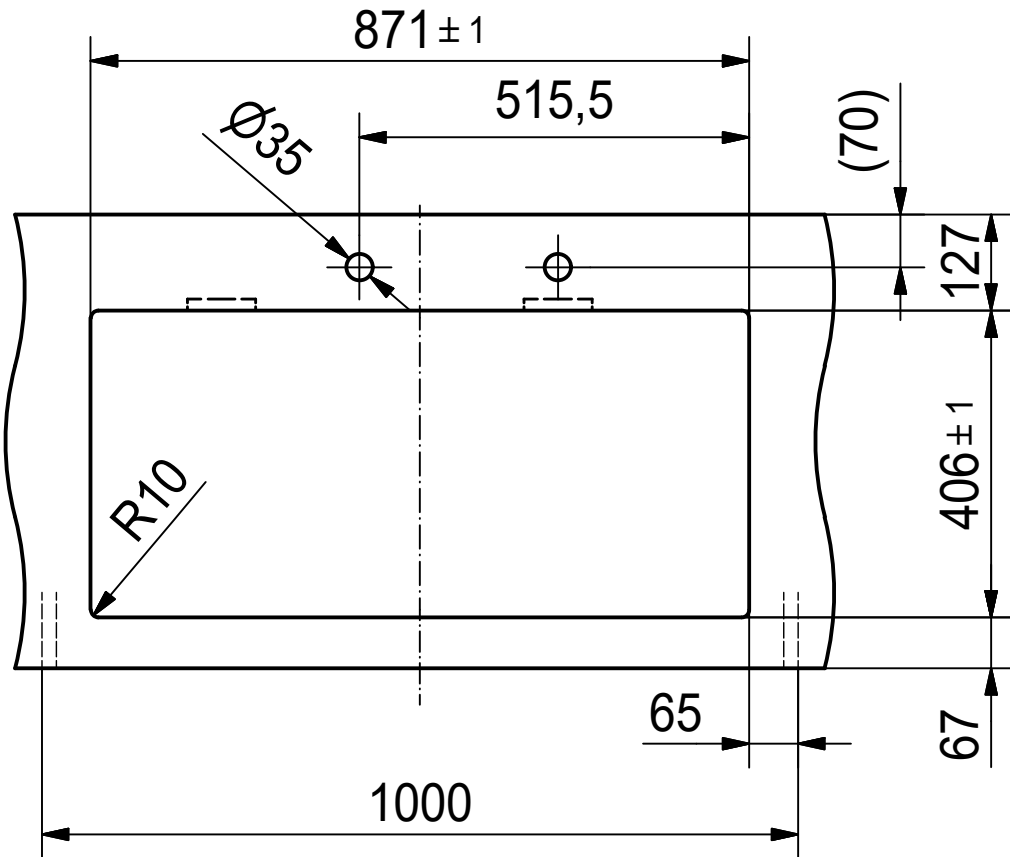
BARE SINK OPTION AND SOME SINK & TAP PACKAGES DO NOT INCLUDE ACCESSORIES. PLEASE CHAT TO YOUR SALES CONSULTANT FOR FURTHER INFORMATION.

LAST UPDATED: 23 JULY 2021



CO

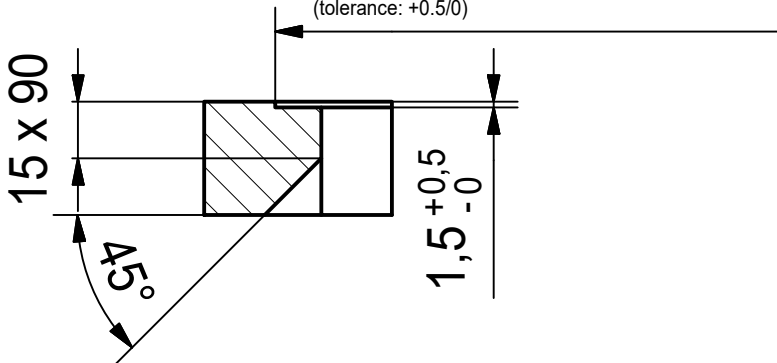
For Topmount/Flushmount



for flush fit only

895.4 x 430.4 x R10.2

(tolerance: +0.5/0)



Drawing No.	20191824_02	Revision	A
Drawn Date	16.06.2020		

These drawings and specifications are the property of Franke Technology and Trademark Ltd. and shall not be reproduced, copied or transferred to any third party without the prior written permission of Franke Technology and Trademark Ltd., Hergiswil, Switzerland



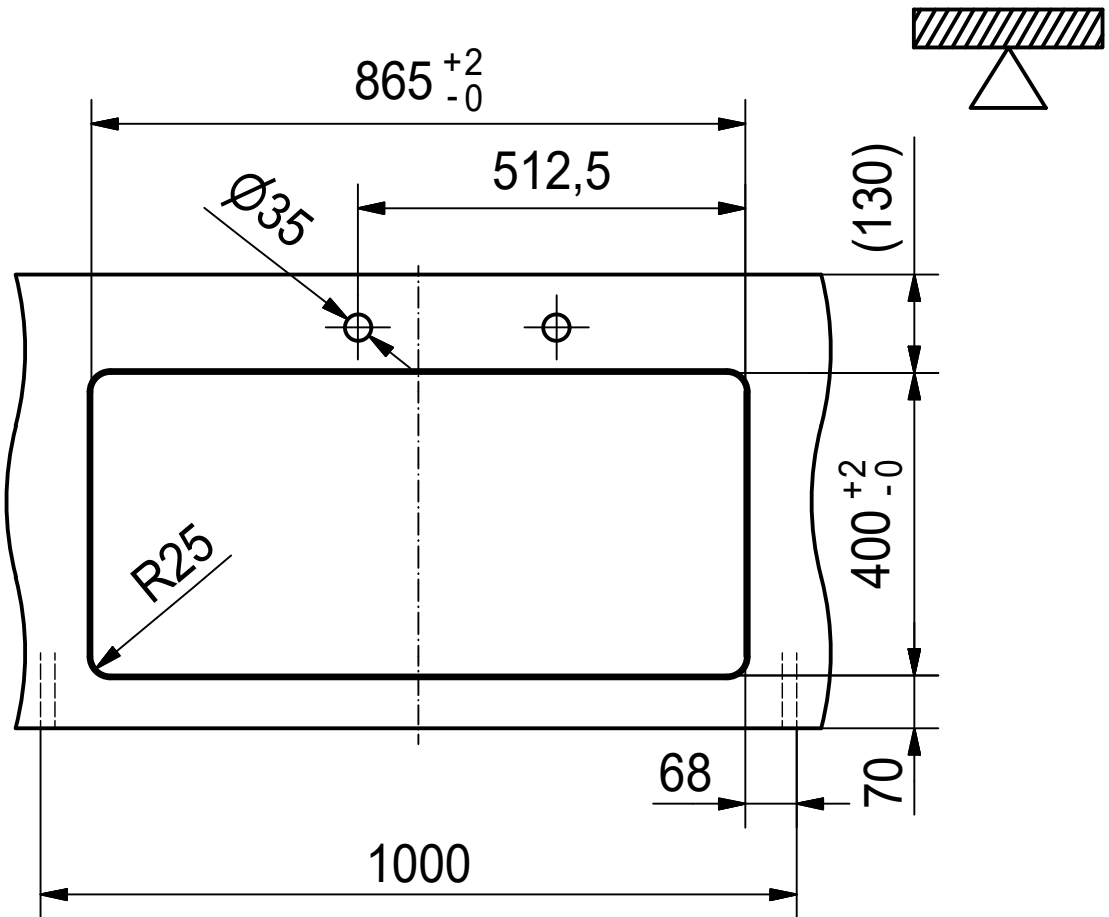
MYX 220/120-50-34 SI

Sheet Sheets

3 11

CO

For Undermount



Drawing No.	20191824_02	Revision	A
Drawn Date	16.06.2020		
<small>These drawings and specifications are the property of Franke Technology and Trademark Ltd. and shall not be reproduced, copied or transferred to any third party without the prior written permission of Franke Technology and Trademark Ltd., Hergiswil, Switzerland</small>			



MYX 220/120-50-34 SI

Sheet	Sheets
9	11