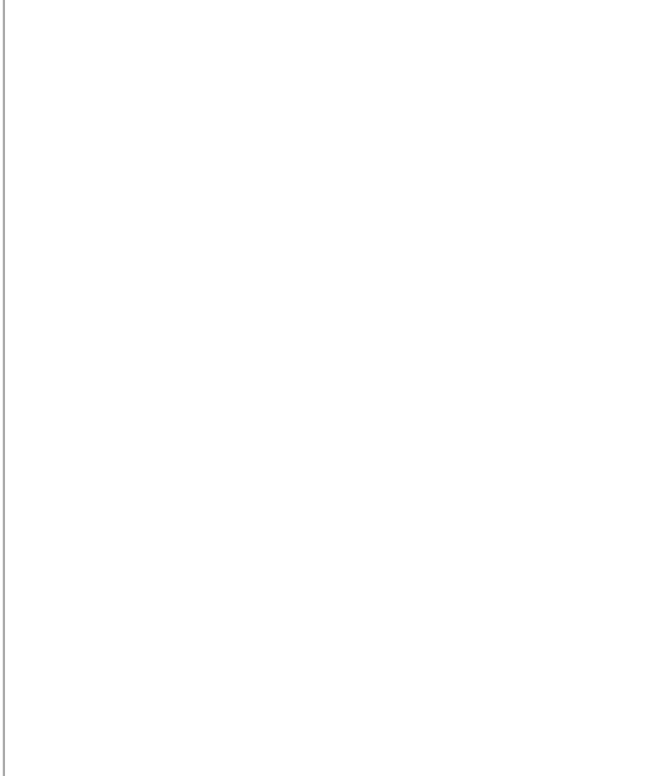


Raindance Select S
Hand shower 120 3jet EcoSmart 9 l/min
 Surfaces: **Chrome** Article Number: **26531000**



Description



Technology



Design awards



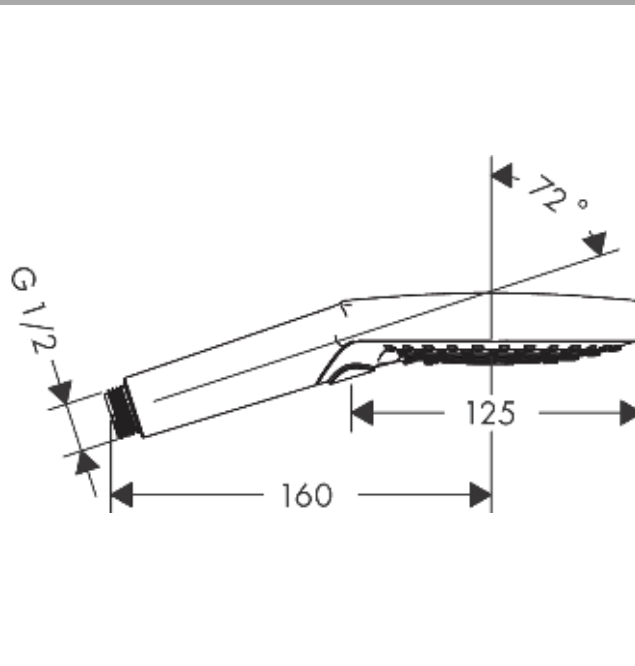
Certificates



Product image



Scale drawing



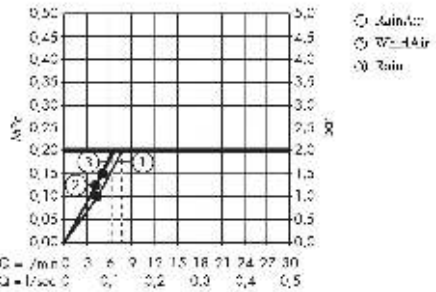
Raindance Select S

Hand shower 120 3jet EcoSmart 9 l/min

Surfaces: **Chrome** Article Number: **26531000**

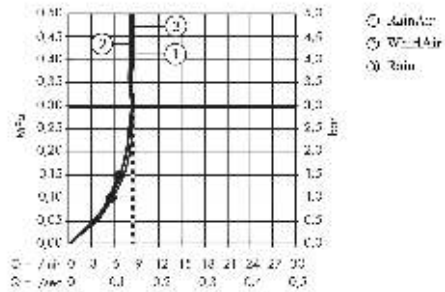


Flowchart



Q = l/min 0 3 6 9 12 15 18 21 24 27 30
 Q = l/sec 0 0,1 0,2 0,3 0,4 0,5

The flow restrictor is essential for identification with the pressure of 3 jets. Information about in well values to collect actual application pressure.



Q = l/min 0 3 6 9 12 15 18 21 24 27 30
 Q = l/sec 0 0,1 0,2 0,3 0,4 0,5

The flow restrictor is essential for identification with the pressure of 3 jets. Information about in well values to collect actual application pressure.