

WALL FACED TOILET



Features

- TORNADO FLUSH System
- CEFIONTECT technology: super smooth, ion barrier glazing for a clean toilet bowl
- Dual flush system
- WATER SAVING
- Softclose Seat & Cover

Specifications

Flush system:	TORNADO FLUSH
Water Use:	4.5L / 3L
Rough-in:	S-Trap / P-Trap (Selectable)
Bowl Shape:	D-Shape
Water Pressure:	0.05MPa~0.75MPa
Size:	392W x 624D x 410H mm

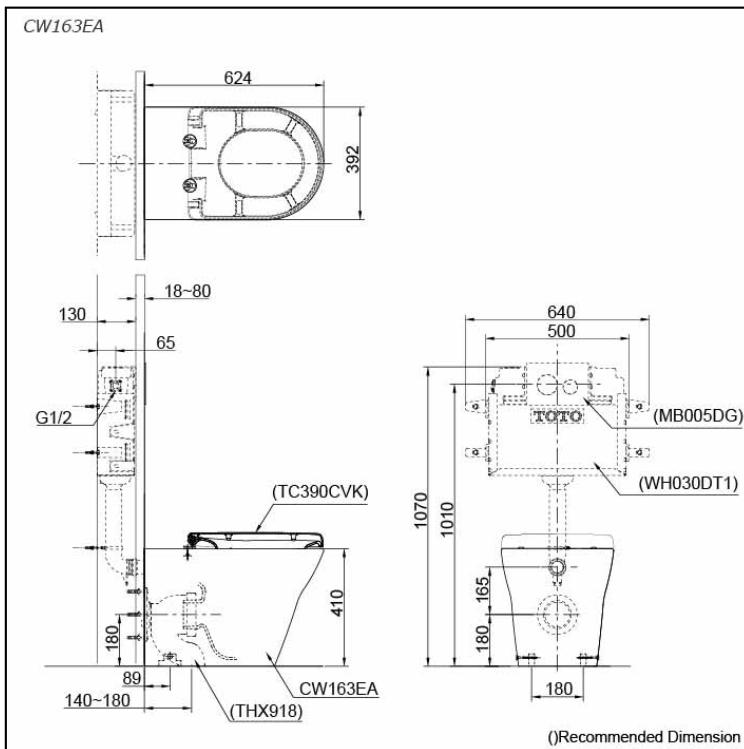
Parts description

Fittings are included
Seat & Cover are not included

- **CW163EA**
D-Shape Wall Faced Toilet

Optional Parts

- TC390CVK
Soft Close Seat & Cover (Urea Resin)
- WH030DT1
Concealed Cistern w/o Frame
- MB005DG
Flush Panel
- THX918
Socket (Only for S-Trap)



Colors

White

WASHLET



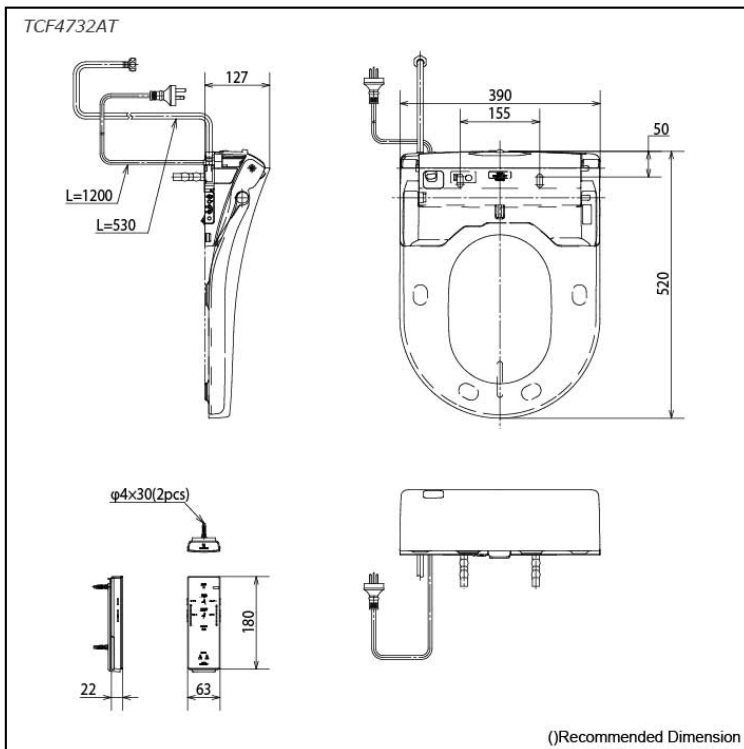
GREEN
GOOD DESIGN
AWARD
2018



reddot award 2016
winner



WaterMark



Features

- EWATER+ spreads out and keeps clean toilet bowl and nozzle by preventing bacterial with sanitizing effect
- Auto lid opening and closing
- Maximized comfort function with new wide front and pulsating cleansing
- Fully equipped with comfortable rear, front and oscillating cleansing functions
- New auto soft light function usable for night time usage
- Auto powerful DEODORIZER activates after every usage
- Easy remove for cleaning

EWATER+ is made from tap water by electrolyzed chloride ion without any chemicals. After use, it returns to normal water in the state of safe and environmental friendly

Specifications

Bowl Shape:	D-Shape
Water Pressure:	0.05Mpa~0.75Mpa
Power Rating:	220~240V , 50/60Hz , 1275~1400W
Length of Power Cord:	1.2 m
Material:	Plastic
Size:	390W x 520D x 127H mm

Parts description

- TCF4732AT WASHLET D-shape

Colors

White