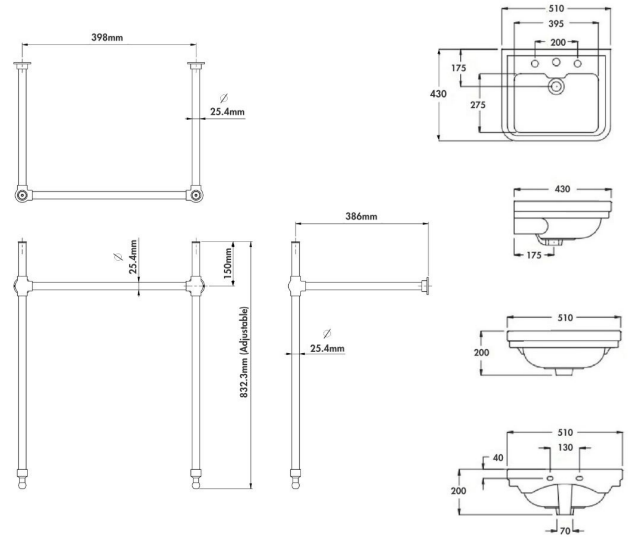


Stafford 51 x 43 Nuovo Basin Stand



Specifications

- Tap holes available: one or three
- Basin Material: Ceramic
- Requires Waste: 32mm with overflow
- Mounting Options: On basin stand, pedestal or wall hung
- Finishes available: Chrome, Brushed Brass PVD, or Brushed Nickel PVD.
- Fully adjustable in height, width and depth
- Made from raw brass not recycled brass for a perfect finish and longevity

Product Options

ST516BS-CH-1TH: Stafford 51 x 43 Chrome Basin Stand - 1TH

ST516BS-CH-3TH: Stafford 51 x 43 Chrome Basin Stand - 3TH

ST517BS-BB-1TH: Stafford 51 x 43 Brushed Brass Basin Stand - 1TH

ST517BS-BB-3TH: Stafford 51 x 43 Brushed Brass Basin Stand - 3TH

ST518BS-BN-1TH: Stafford 51 x 43 Brushed Nickel Basin Stand - 1TH

ST518BS-BN-3TH: Stafford 51 x 43 Brushed Nickel Basin Stand - 3TH

Warranty

For peace of mind, Turner Hastings offers the following warranty on this product and its components:

Frame - Lifetime

Basin - Lifetime

For more details, click here to refer to our warranty page