

AXOR ShowerSolutions

Hand shower 120 3jet EcoSmart

Finish: **Brushed Nickel** Article Number: **26051820**



product features

- shower head size: 125 mm
- spray type: Rain, RainAir, WhirlAir
- convenient spray selection via Select button
- maximum flow rate at 3 bar: 9 l/min
- minimum flow pressure: 1,5 bar
- hand shower with 2-shell construction
- with internal water conduction
- rinseable screen seal
- connection thread G 1/2
- suitable for continuous flow water heaters

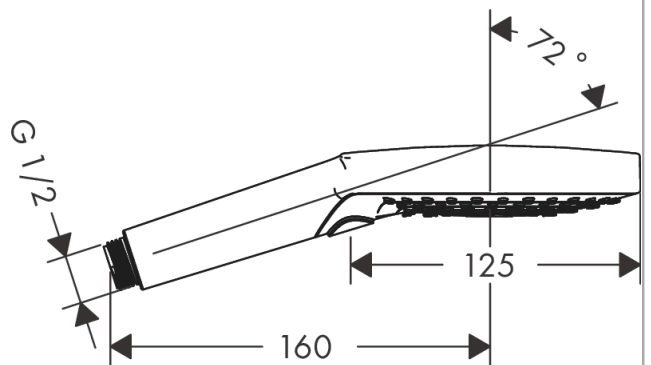
Technology



Product image



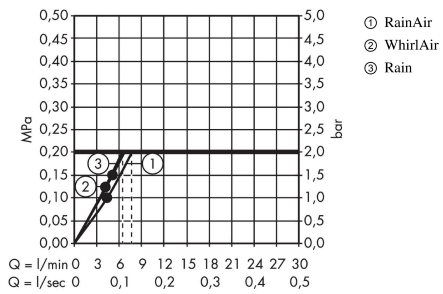
Scale drawing



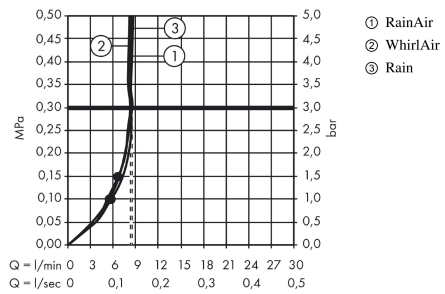
AXOR ShowerSolutions
Hand shower 120 3jet EcoSmart
 Finish: **Brushed Nickel** Article Number: **26051820**



Flowchart



The consumption was measured in combination with the appropriate fittings (thermostat/mixer/in-wall valve) to reflect actual application in practice.



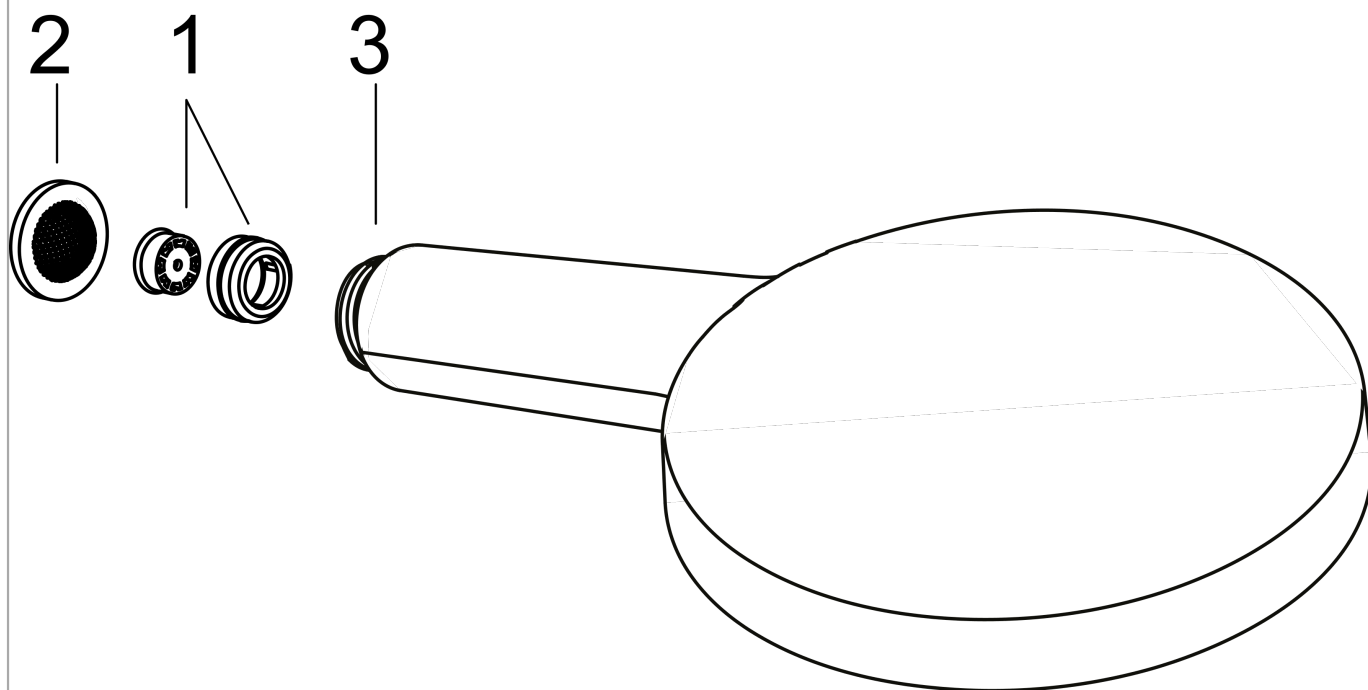
The consumption was measured in combination with the appropriate fittings (thermostat/mixer/in-wall valve) to reflect actual application in practice.

AXOR ShowerSolutions
Hand shower 120 3jet EcoSmart
Finish: **Brushed Nickel** Article Number: **26051820**



Exploded Drawing

Year of production: >11/16



AXOR ShowerSolutions
Hand shower 120 3jet EcoSmart
 Finish: **Brushed Nickel** Article Number: **26051820**



Spare part list

Year of production: >11/16

Pos.		Article Number	PC	PU
1	flow limiter (9 l/min)	95659000	3	1
2	filter packing	94246000	1	1
3	pivoting connection	93089000	5	1