

# HENRI LEGRANDE REVERSIBLE

## LEGRANDE 2W SINK



### INCLUDED ACCESSORIES



2 x 6020L

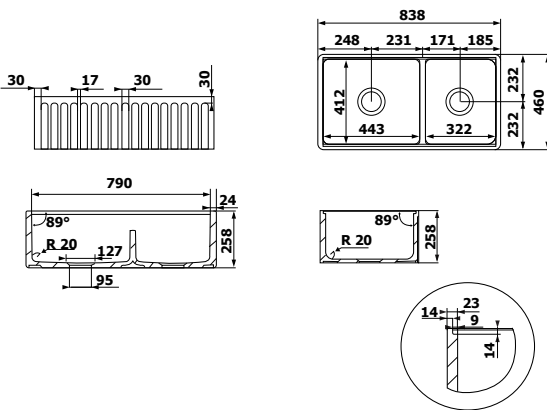


Chopping Board



Drain Tray

### DIMENSIONS



Due to the Nature of Earthenware Products Dimensions are Approximate +/- .5 Inch

### SPECIFICATIONS

Description	Large Single & a Half Bowl Fireclay Sink, Inset / Under Mount / Flush Mount
Overall Sink Size	L838mm x W460mm x D258mm
Bowl Dimensions	L443mm x W413mm x D258mm L322mm x W413mm x D238mm
Drainer Length	N/A
Bowl Radius	20mm
Technic	Fireclay Sink
Material	Fireclay

### INSTALLATION

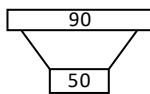
Template	N/A
Tap Holes	NTH

### SURFACE FINISH



SILKY SMOOTH

### WASTE KIT



### MATERIAL

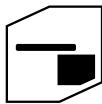


FIRECLAY

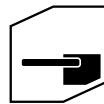
### PLUMBING

Waste Fittings	2 x (90mm x 2") basket waste included
Overflow	No

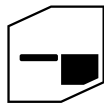
### INSTALLATION OPTIONS



INSET



UNDER MOUNT



FLUSH MOUNT

### PACKAGING

Gross Weight	46kg
Carton Size	840mm x 260mm x 460mm
Pack QTY	1

### AVAILABLE IN



LEGRANDE-2W  
(WHITE)