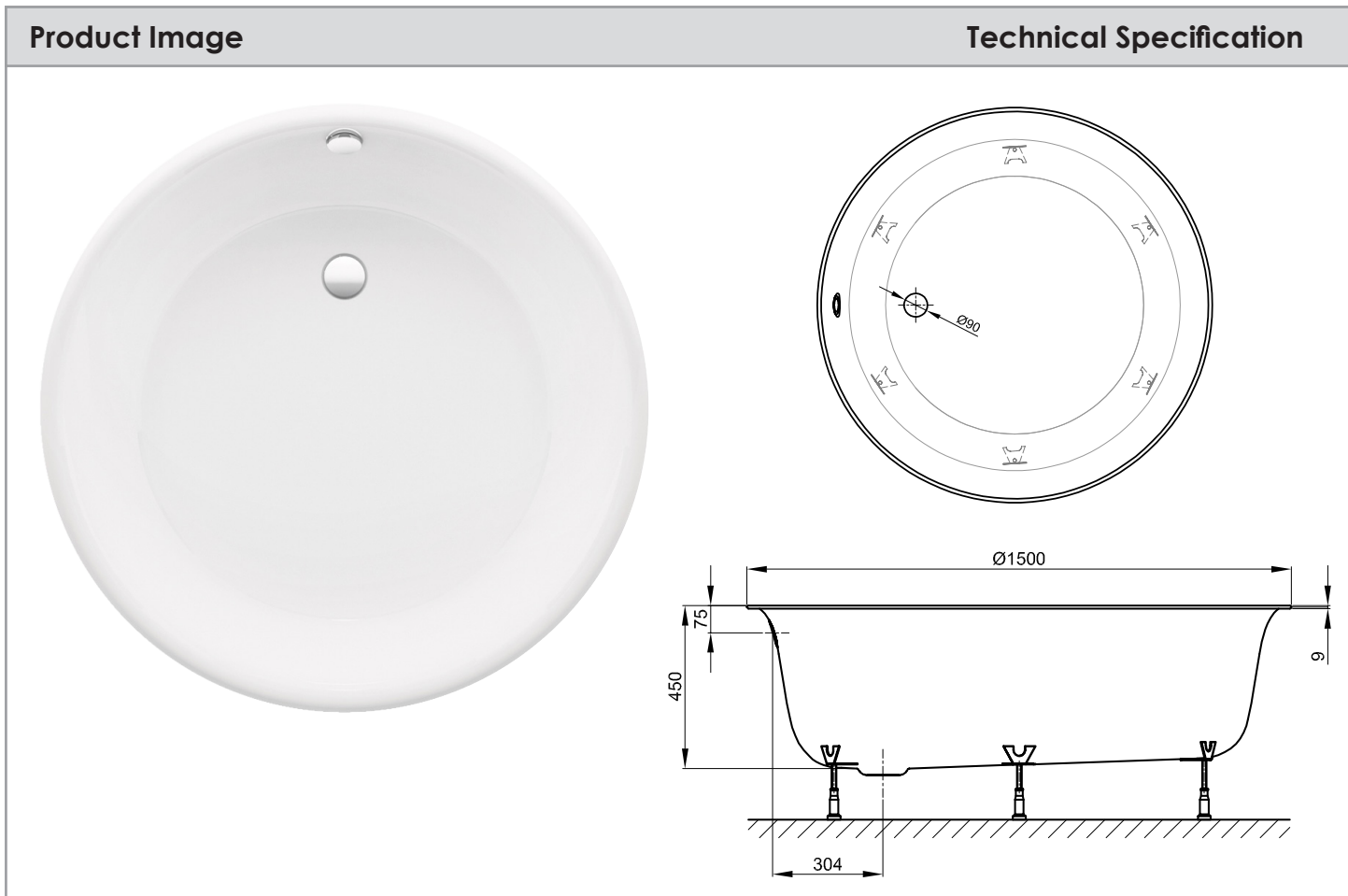




BETTEPOND 1500 DROP IN BATH



Description	
BettePond Drop In Bath	
B6045WOB	Chrome Overflow Waste
B6045WWOB	White Overflow Waste
B6045WFB	Chrome Overflow Waste Bath Filler
B6045WWFB	White Overflow Waste Bath Filler

Additional Information
Options available:
<ul style="list-style-type: none"> • B50-0015 Universal bath feet • Integrated bath filler • Anti-slip base • Includes Tiling Lip • Includes Waste Overflow Combination • For bath filler water supply rough-in, a mixer (or similar) should be located close to the bath filler. The mixed water supply outlet feed should be roughed-in within 450mm of the bath filler. • Weight: 60kg • Volume in litres: 342L

