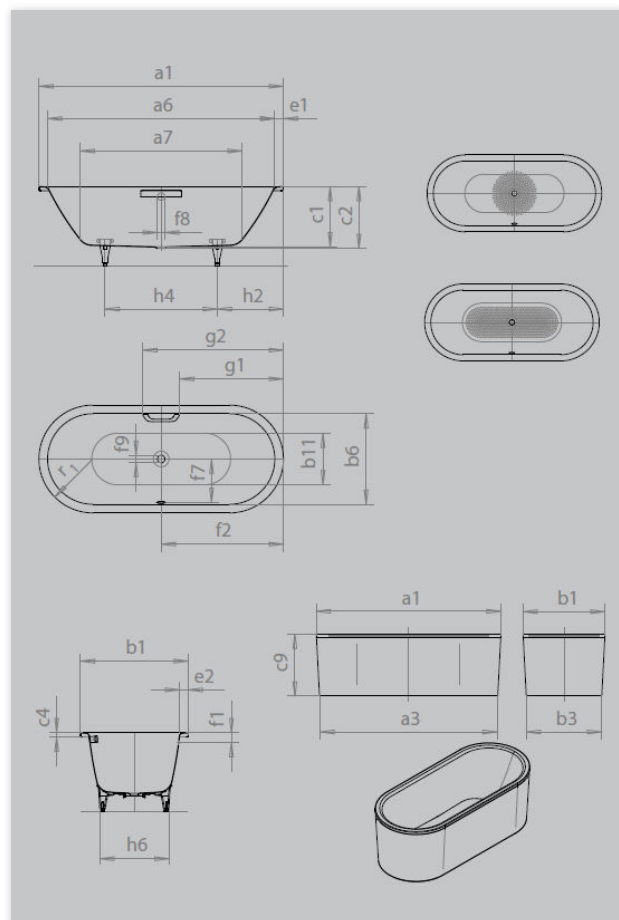


CLASSIC DUO OVAL FREESTANDING

- pure simplicity and unpretentious elegance are what distinguish these baths
- bathing with a friend: two identical back rests and centrally positioned waste
- the moulded panel emphasises the high design standard
- made of KALDEWEI steel enamel
- **30 YEAR WARRANTY**



GRIP DISCREET OPULENCE



| Model No. | | 112-FS | 113-FS | 111-FS |
|--|---------------------------------|-----------|-----------|--------------|
| External length | a ₁ | 1600 | 1700 | 1800 mm |
| External length (bottom) | a ₃ | 1481 | 1635 | 1735 mm |
| Internal length (top) | a ₆ | 1480 | 1580 | 1680 mm |
| Internal length (bottom) | a ₇ | 1030 | 1130 | 1230 mm |
| External width | b ₁ | 700 | 750 | 800 mm |
| External width (bottom) | b ₃ | 575 | 685 | 735 mm |
| Internal width (top) | b ₆ | 580 | 630 | 680 mm |
| Internal width (bottom) | b ₁₁ | 450 | 500 | 550 mm |
| Depth inside | c ₁ | 420 | 420 | 420 mm |
| Depth incl. waste hole | c ₂ | 430 | 430 | 430 mm |
| Height of rim | c ₄ | 32 | 32 | 32 mm |
| Overall height with panel | c ₉ | 602 | 602 | 602 mm |
| Width of rim (foot end; long side) | e ₁ ; e ₂ | 60; 60 | 60; 60 | 60; 60 mm |
| Distance top edge to centre of overflow hole | f ₁ | 70 | 70 | 70 mm |
| Distance bath edge to centre of waste hole | f ₂ | 800 | 850 | 900 mm |
| Distance centre of waste hole to centre of overflow hole | f ₇ | 280 | 305 | 330 mm |
| Diameter of overflow hole | f ₈ | ∅ 52 | ∅ 52 | ∅ 52 mm |
| Diameter of waste hole | f ₉ | ∅ 52 | ∅ 52 | ∅ 52 mm |
| Distance bath edge (foot end) to start of grip | g ₁ | 672 | 722 | 772 mm |
| Distance bath edge (foot end) to end of grip | g ₂ | 928 | 978 | 1028 mm |
| Distance foot end of bath edge to centre of foot | h ₂ | 560 | 560 | 600 mm |
| Distance between the feet | h ₄ | 480 | 580 | 600 mm |
| Width of feet max. | h ₆ | 410 | 450 | 540 mm |
| External radius | r ₁ | 350 | 375 | 400 mm |
| Water volume | | 95 | 124 | 158 l |
| Net weight | | 74 | 78 | 88 kg |
| Diameter of Anti-slip | | ∅ 288 | ∅ 435 | ∅ 435 mm |
| Full anti-slip | | 850 x 240 | 900 x 300 | 900 x 300 mm |

Subject to technical alterations, tolerances and errors. Similar illustrations.
** 70 litres displacement on average.

KALDEWEI