

Franz Kaldewei GmbH & Co. KG

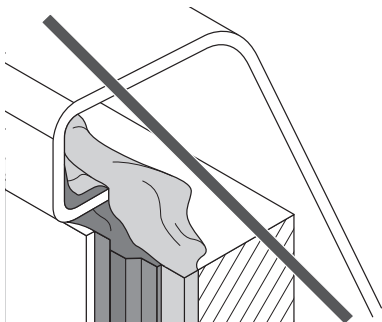
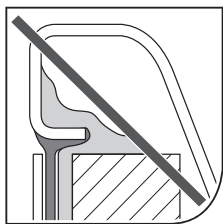
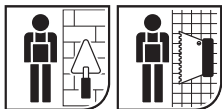
Declaration of performance online at https://kaldewei.com/qmwn0611007_19082021



13 KBW001 Badewanne Persönliche Hygiene EN 14516:2006+A1:2010
13 KDW001 Duschwanne Persönliche Hygiene EN 14527:2006+A1:2010
13 KWT001 Waschbecken Persönliche Hygiene EN 14688:2006

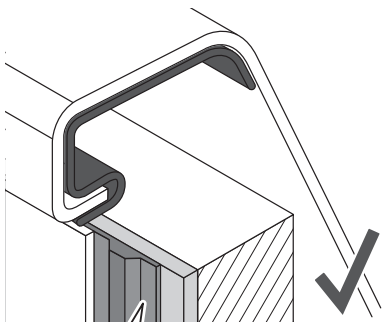
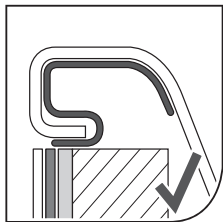


GUARANTEE, CARE AND INSTALLATION INSTRUCTIONS



+ WES 130

Art.-No. 687676540000





KALDEWEI steel enamel is marked by its exceptional longevity. KALDEWEI therefore guarantees this bathtub, shower tray/surface or washbasin for a period of 30 years. Our guarantee is an additional service that we provide to our customers. The scope of this guarantee is as follows.

Scope

- This guarantee shall apply exclusively to defects arising from design and manufacturing defects for which the manufacturer is responsible and which affect the functional properties of the bathtub, shower tray/surface or washbasin.
- Where a product is equipped with the easy-clean finish, the guarantee shall also apply to this surface finish; it does not apply to the anti-slip, full anti-slip, KALDEWEI SECURE PLUS finishes and Invisible Grip.
- In the event that a claim is upheld, KALDEWEI may, at its own discretion, choose to repair the original product, provide a replacement, or provide financial compensation for the loss of value. This guarantee shall not entitle the purchaser to any additional claim, including damage or loss of any nature, reimbursement of installation and removal costs, or the cost of delivering a replacement product.
- This guarantee shall only apply to products installed at a site within the territory of the European Union and the European Economic Area.

Terms and Conditions

- This guarantee shall only apply if the product has been installed by a qualified contractor in compliance with the relevant requirements. These include the safety information and installation instructions.
- This guarantee shall not apply if the product is modified or if KALDEWEI accessories are not fitted by qualified persons as described above.
- This guarantee shall not cover any fittings or damage caused through improper installation.
- This guarantee shall not apply if the product is used other than for its intended purpose.
- This guarantee shall be given subject to proper use and care of the product and its enamel finish, including the easy-clean finish. Therefore we strongly recommend that you follow the cleaning and care instructions below.

Validity period

- The guarantee period shall be 30 years from the date of purchase. Please ask your dealer to confirm the date of purchase on your guarantee card.
- Defects arising from design or manufacturing faults as defined above must be reported to KALDEWEI in writing within a period of four weeks from the date the defect is discovered. Notice of the defect must be accompanied by this guarantee card and the original proof of purchase.
- If a claim is successful under the terms of this guarantee, the guarantee period shall not be extended.

Miscellaneous

- This guarantee shall be governed solely by the laws of the Federal Republic of Germany to the exclusion of the United Nations Convention on Contracts for the International Sale of Goods (CISG).
- This guarantee shall not affect your statutory rights as a consumer in case of warranty claims against the dealer.
- KALDEWEI shall NOT warrant or guarantee, and disclaims liability for, failure to observe the installation instructions or the safety and assembly information enclosed with the product, any problems arising from improper installation or any modifications to the product.



CARE INSTRUCTIONS

KALDEWEI steel enamel

- After use, rinse the enamel surface with water and wipe with a soft, damp cloth, chamois or sponge.
- Dry dark coloured products after use to prevent calcium build-up.
- Remove small stains with a regular household detergent or a mild all-purpose or bathroom cleaner; soak heavier stains before cleaning. Always follow the instructions on the cleaning product.
- To avoid calcium deposits, ensure that all fittings are properly sealed and that all water is removed after use. Any deposits that do occur despite these efforts can be removed with a lukewarm 1:1 mixture of water and vinegar (do NOT use concentrated vinegar). After cleaning, rinse the surface thoroughly.
- Personal hygiene products containing naturally occurring oils or fats, such as hair conditioners, shower and bath oils, may leave residue on the enamel surface that will increase the risk of slipping. Use a fat-removing alkaline cleaner to remove these stains and follow up with an acidic cleaner before rinsing the surface with clean water.
- When using a drain cleaner, please read the manufacturer's instructions carefully and pour the cleaner directly into the drain. Take care not to splash drain cleaner onto the enamel surface and remove splashes promptly.
- Always observe the care instructions for the fittings on your product.
- Do not use coarse, abrasive cleaning products, strong acidic or alkaline cleaners (not suitable pH <2/>5 and <8/>10, e.g. concentrated vinegar, chlorinated alkaline cleaners), steel wool, scouring pads, laundry detergents and washing powder or laundry detergent/washing powder suds.
- Surface damage caused by incorrect treatment can often be repaired using the KALDEWEI Enamel Pen or the KALDEWEI Enamel Set.

Easy-clean finish and Invisible Grip

- The same care instructions apply as for our KALDEWEI steel enamel. In addition, carefully observe the following cleaning instructions.
- Do not use microfibre cloths.
- Under no circumstances should mortar, tile adhesive or joint filler, building dust, sand and other abrasive materials be allowed to come into contact with the surface finish.
- KALDEWEI CARE accessories (may vary by region): The KALDEWEI Enamel Cleaner is NOT suitable.

Anti-slip, full anti-slip, KALDEWEI Secure Plus (optional for bathtubs and shower trays/surfaces)

Caution! Soiling can impair the non-slip effect of these surface finishes. In order to retain the special surface texture, care must be taken to ensure proper care and cleaning.

- The same care instructions apply as for our KALDEWEI steel enamel. In addition, carefully observe the following cleaning instructions.
- After cleaning, rinse the surface with plenty of water and dry with a shower or window squeegee. Remove stubborn stains using a soft hand brush.
- Do not use non-lint-free cloths or moist disposable wipes.
- KALDEWEI CARE accessories (may vary by region): The KALDEWEI Enamel Cleaner is NOT suitable for use on surfaces with non-slip properties.



INSTALLATION INSTRUCTIONS

Note!

- Please read and observe the safety information and assembly instructions enclosed with the product or installation system.
- Always use the original packaging for transportation of the product. Treat with care and ensure proper handling during transport, unpacking and installation.
- Fit steel enamel products during the fine installation stage and cover until all building work has been completed.
- During installation, ensure that the enamel surface does not come into contact with any metal. This includes the installation of appropriate waste fittings or waste and overflow fittings with double lip seal.
- During installation, the direct contact of mortar or adhesive with the surface below the lower edge of the bath or shower tray must be prevented. The use of tub/tray installation sound insulation tape such as WES 130 is recommended. Please read and follow the usage instructions for all materials and tools used during installation. In particular, this includes all safety requirements in the relevant manufacturer's instructions as well as the curing and flash-off times for multi-component mortar, adhesives and sealants.
- When using accessories or products from other manufacturers check for suitability and follow the manufacturer's instructions.
- Prior to installation, check the product for dimensional accuracy, colour, proper functioning and defects.
- Once the product is fitted and connected, carry out a water drainage test ensuring that all residual water drains completely before permanent installation.
- Before applying the elastic joint seal, weigh down the bathtub or shower surface. Do not remove the weight until the seal has fully cured.
- KALDEWEI cannot be held responsible for additional costs resulting from defects which are apparent before the installation. It is the installer's responsibility to test the unit and to inform his contracting partner of any faults. Breach of this duty may result in loss of the right of recourse.

Attention!

- Always comply with national and regional standards and regulations relating to bathroom fittings and electrical installations and to fire safety as a matter of priority. The same applies to national accident prevention regulations.
- Ensure proper stabilisation, bearing capacity and structural stability and use appropriate mounting hardware for wall or floor fitting.

Franz Kaldewei GmbH & Co. KG
Beckumer Strasse 33-35
59229 Ahlen
Germany
tel. +49 2382 785 0
fax +49 2382 785 200
kaldewei.com