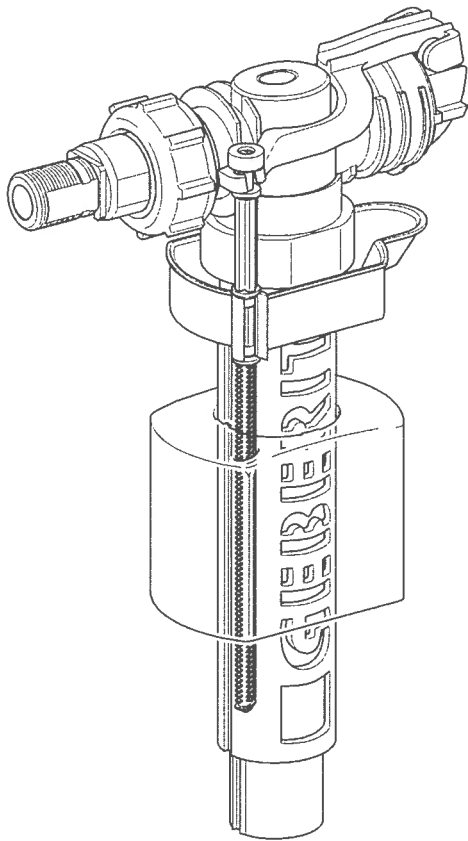
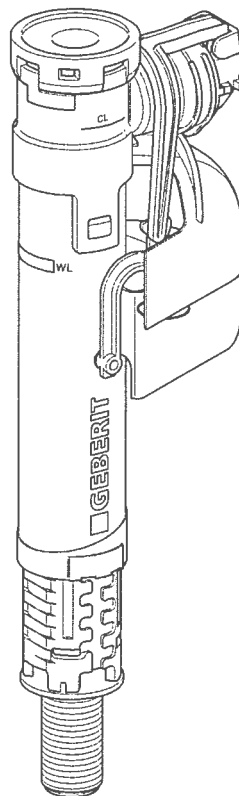


Geberit Inlet Valves



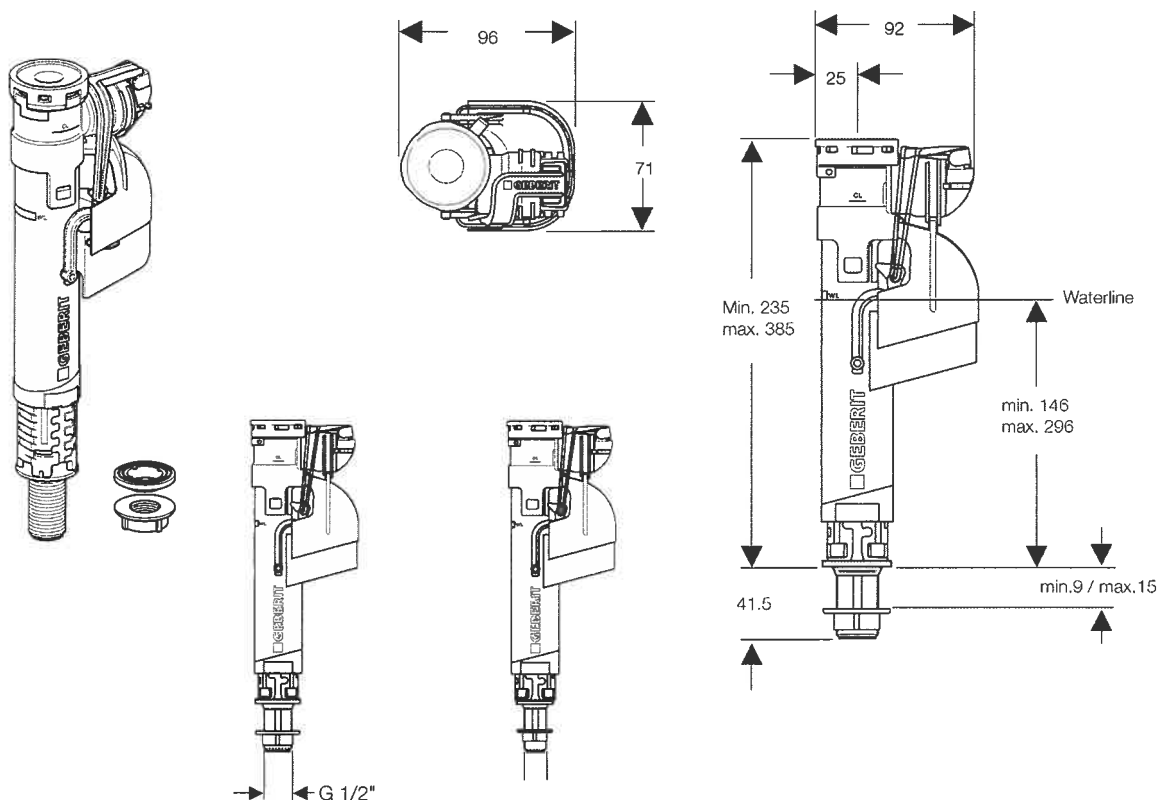
Impuls380



Fors

Fors Inlet valve for bottom connection 1/2" Art. No. 222.100.00.1

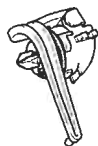
The Geberit Fors cistern inlet valve can be used world wide thanks to different connection versions and because of the large pressure range in which the filling valve operates: 10-1000 kPa (0.1 to 10 bar). All parts exposed to pressure are entirely made from PBT, a chlorine and acid resistant material.



Art. No. 222.100.00.1

Service and spare parts

Geberit Fors cistern inlet valve is maintenance friendly. In the event of a blockage, the silicone diaphragm and lever part can be easily removed without tools for cleaning. The spare part is supplied as a kit (diaphragm, insert, cover and lever) in one package. After any maintenance or replacement of the valve, make sure that the fill and spill level of the cistern is correctly adjusted.

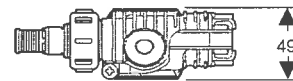
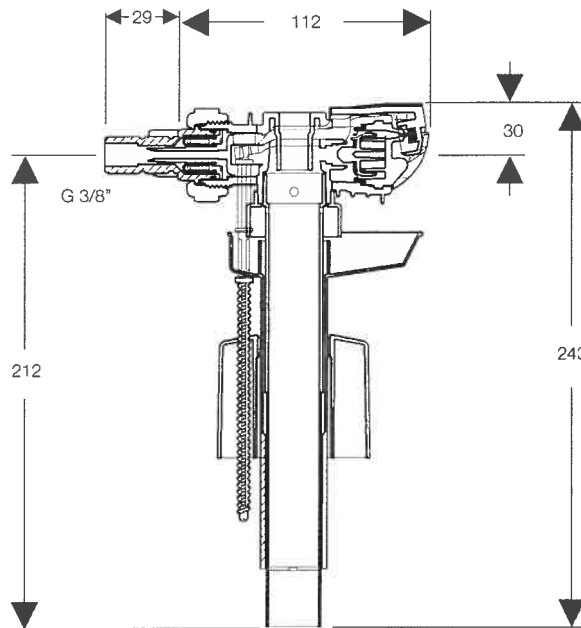
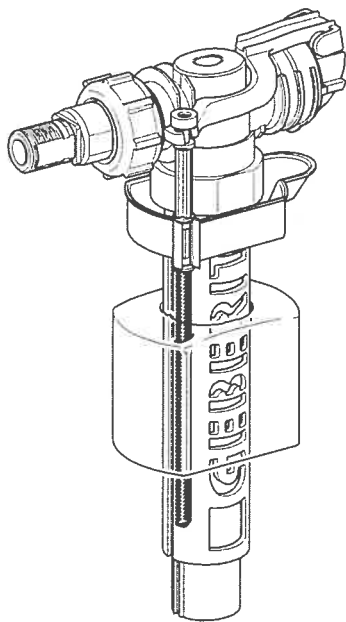


Art. No.	Description
241.813.00.1	Diaphragm and lever

Impuls380 Inlet Valve 3/8" Art.

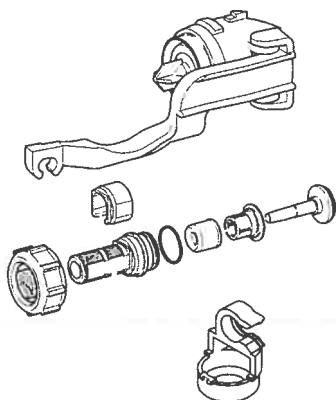
The Geberit Impuls380 inlet valve Art. No. 222.011.00.1 with short 3/8" nipple is used in many imported toilet suites. The Impuls380 cistern inlet valve has an operating pressure range from 10 to 1000 kPa (0.1 to 10 bar). The valve is designed for fast and quiet filling action.

Importante note: When the complete inlet valve is replaced make sure that the fill and spill level of the cistern is correctly adjusted. If the old Servo valve was clipped to the overflow pipe of the Geberit outlet valve, the existing clip has to be replaced with a new clip Art. No. 170.393.00.1.



Service and spare parts

Geberit Impuls380 cistern inlet valve is maintenance friendly. In the event of a blockage, the silicone diaphragm and lever part can be easily removed without tools for cleaning. The spare part is supplied as a kit (diaphragm, insert, cover and lever) in one package. The connector nipple including nut is also available as a spare part.



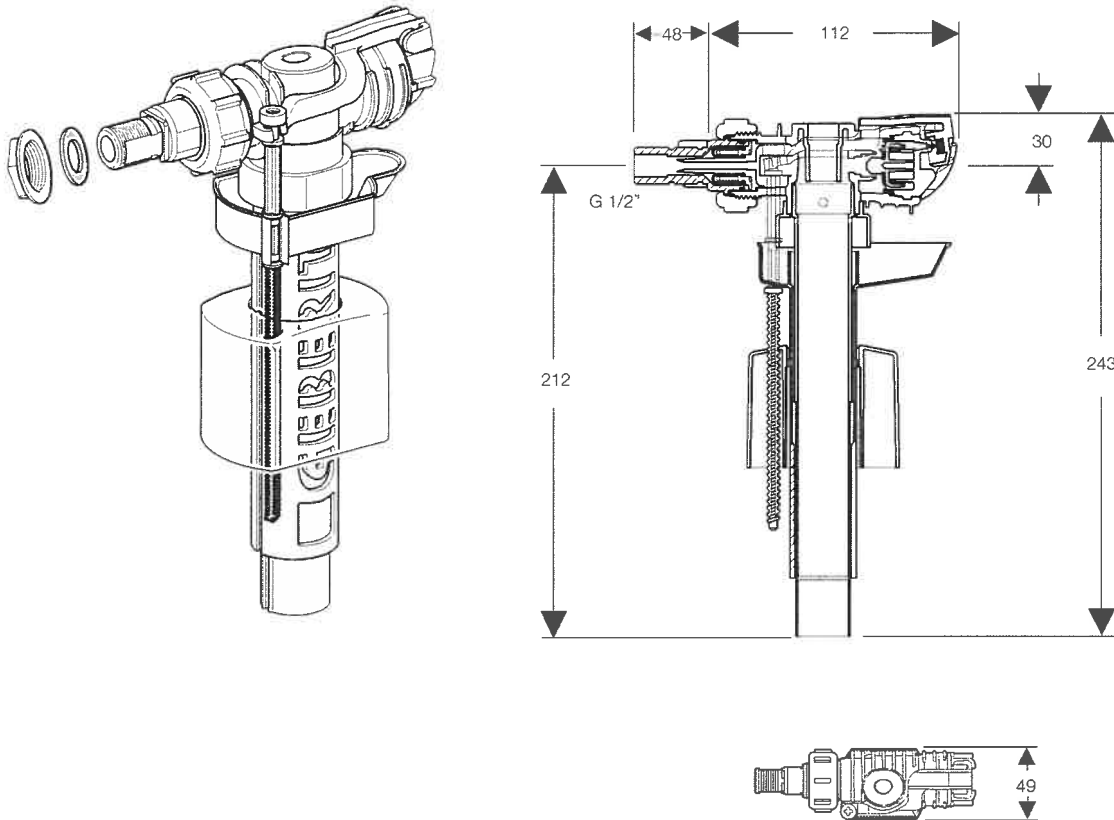
Art. No.	Description
170.360.00.1	Diaphragm and lever

Art. No.	Description
880.781.00.0	3/8" Connector nipple short, incl. seals for Unifill

Art. No.	Description
170.393.00.1	Inlet valve clip

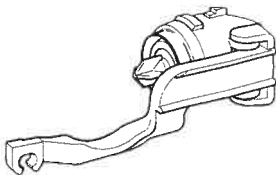
Impuls380 Inlet Valve 1/2" Art. No. 222.012.00.1

The Geberit Impuls380 cistern inlet valve Art. No. 222.012.00.1 with 1/2" nipple is used in some Geberit cisterns or as a general 1/2" inlet valve. The Impuls380 cistern inlet valve has an operating pressure range from 10 to 1000 kPa (0.1 to 10 bar). The valve is designed for fast and quiet filling action.



Service and spare parts

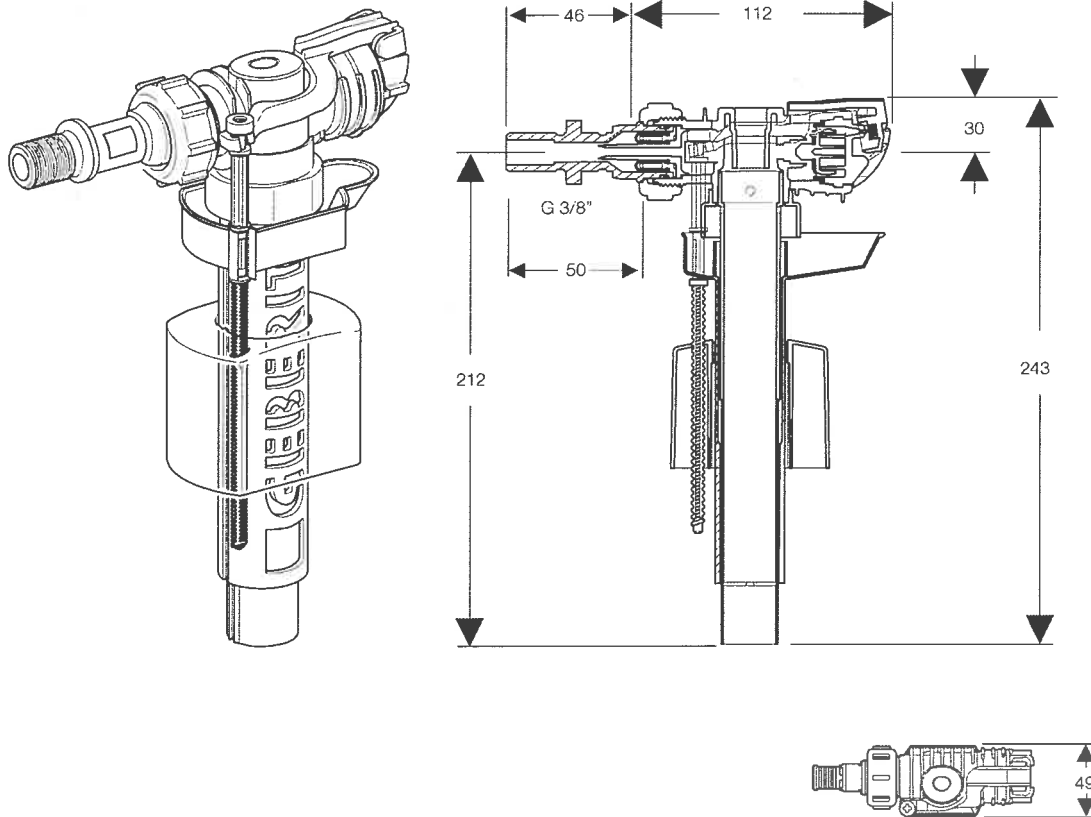
Geberit Impuls380 cistern inlet valve is maintenance friendly. In the event of a blockage, the silicone diaphragm and lever part can be easily removed without tools for cleaning. The spare part is supplied as a kit (diaphragm, insert, cover and lever) in one package.



Art. No.	Description
170.360.00.1	Diaphragm and lever

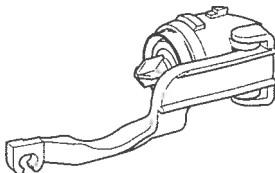
Impuls380 Inlet valve 3/8" Art. No. 261467001

The Geberit Impuls380 cistern inlet valve Art. No. 222.026.00.1 with long 3/8" stratos nipple is used in a number of cisterns from Caroma and Villeroy & Boch. The Impuls380 cistern inlet valve has an operating pressure range from 10 to 1000 kPa (0.1 to 10 bar). The valve is designed for fast and quiet filling action. Important note: When the complete inlet valve is replaced make sure that the fill and spill level of the cistern is correctly adjusted.



Spare parts and service

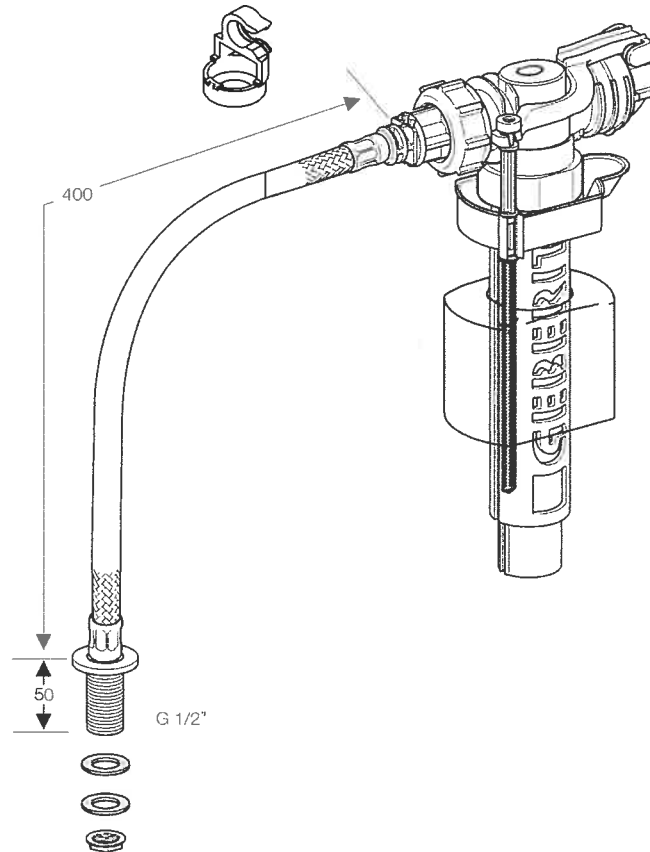
Geberit Impuls380 cistern inlet valve is maintenance friendly. In the event of a blockage, the silicone diaphragm and lever part can be easily removed without tools for cleaning. The spare part is supplied as a kit (diaphragm, insert, cover and lever) in one package. After any maintenance or replacement of the valve, make sure that the fill and spill level of the cistern is correctly adjusted.



Art. No.	Description
170.360.00.1	Diaphragm and lever

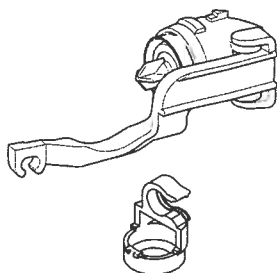
Impuls380 Bottom-Entry Inlet Valve 1/2" Art. No.

The Geberit Impuls380 cistern bottom-entry inlet valve Art. No. 240.884.00.1 with hose and 1/2" nipple is manufactured for use with the Geberit outlet valve. It fastens onto the overflow pipe of the outlet valve via the supplied clip. The Impuls380 cistern inlet valve has an operating pressure range from 10 to 1000 kPa (0.1 to 10 bar). The valve is designed for fast and quiet filling action.



Spare parts and service

The Geberit Impuls380 cistern inlet valve is maintenance friendly. In the event of a blockage, the silicone diaphragm and lever part can be easily removed without tools for cleaning. The part is supplied as a kit (diaphragm, insert, cover and lever) in one package. After any maintenance or replacement of the filling valve, make sure that the fill and spill level of the cistern is correctly adjusted.

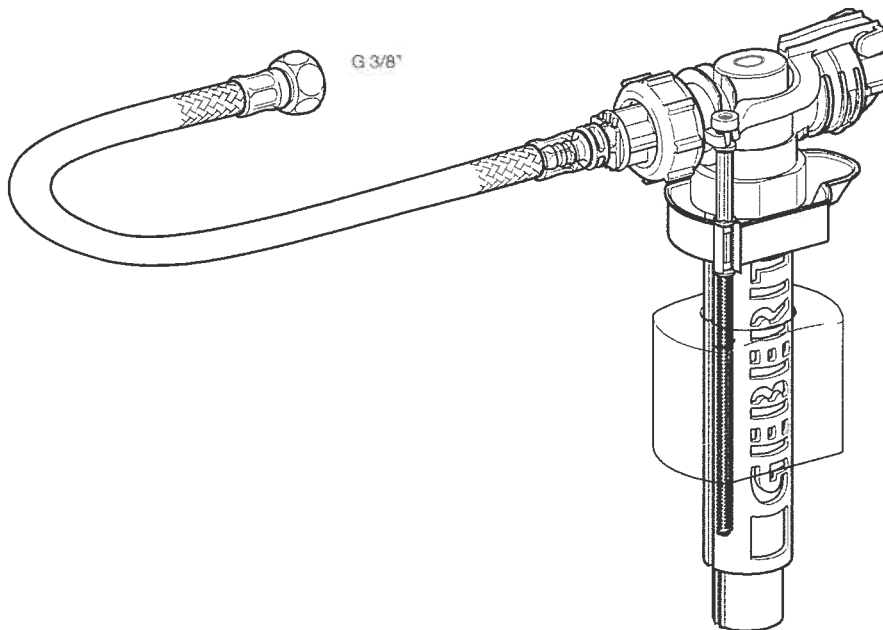


Art. No.	Description
170.360.00.1	Diaphragm and lever

Art. No.	Description
170.393.00.1	Inlet valve clip

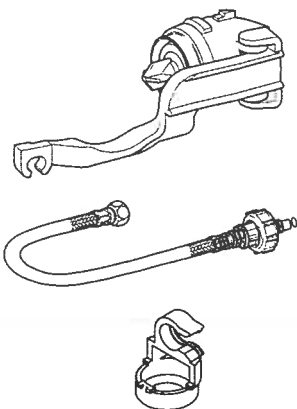
Impuls380 Rear-Entry Inlet Valve Art. No. 222.013.00.1

The Geberit Impuls380 cistern rear-entry inlet valve Art. No. 222.013.00.1 with 300mm long hose and 3/8" female connection is manufactured for use with the Geberit outlet valve. It fastens onto the overflow pipe of the outlet valve via a clip Art. No. 170.393.00.1 (clip has to be ordered separately). Impuls380 rear-entry Art. No. 222.013.00.1 can also be used with the Geberit UP170 concealed cistern. The Impuls380 inlet valve has an operating pressure range from 10 to 1000 kPa (0.1 to 10 bar). The valve is designed for fast and quiet filling action.



Spare parts and service

The Geberit Impuls380 cistern inlet valve is maintenance friendly. In the event of a blockage, the silicone diaphragm and lever part can be easily removed without tools for cleaning. The spare part is supplied as a kit (diaphragm, insert, cover and lever) in one package. The rear-entry hose is also available as a spare part. After any maintenance or replacement of the valve, make sure that the fill and spill level of the cistern is correctly adjusted.



Art. No.	Description
170.360.00.1	Diaphragm and lever

Art. No.	Description
240.989.00.1	Rear-entry hose with 3/8" female nut (l = 300mm)

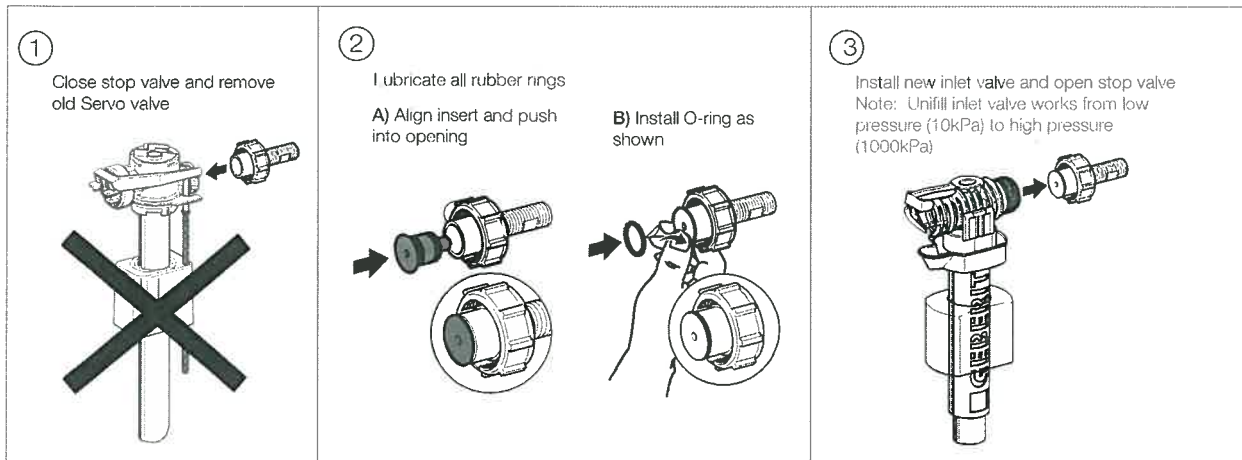
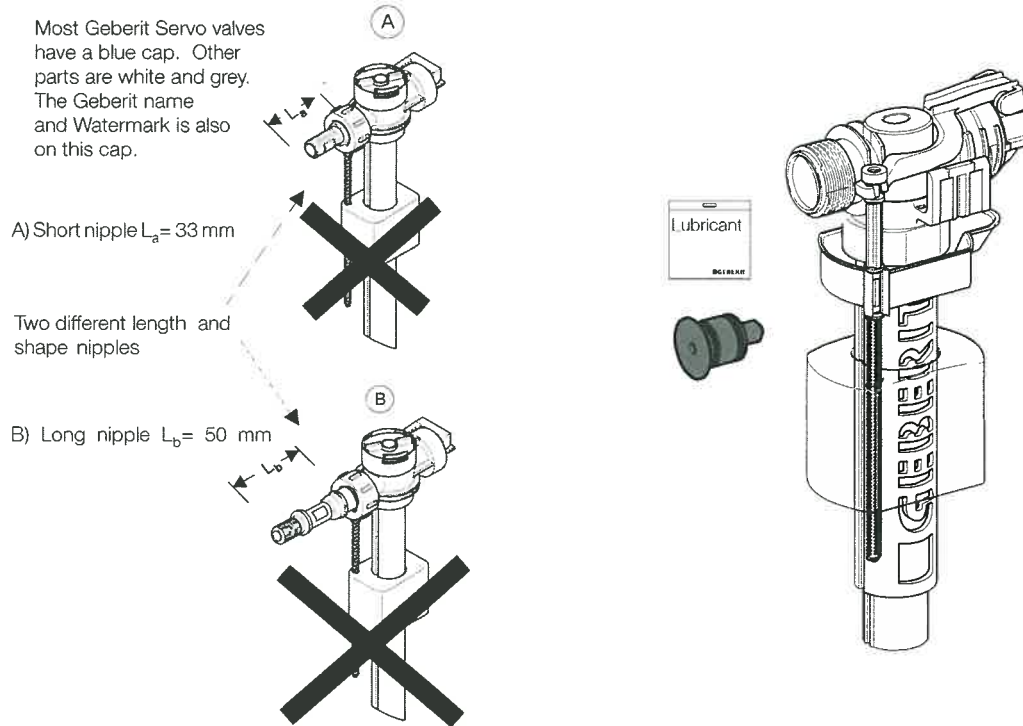
Art. No.	Description
170.393.00.1	Inlet valve clip

Impuls380 Servo Valve Replacement Set Art. No. 261467001X

There were two models of the Geberit Servo filling valves with different length nipples sold in Australia. Referred to below as A & B. Model A was extensively used in imported toilet suites such as Villeroy & Boch, Duravit etc. Model B mainly in Caroma Suites. The Servo valve and spare parts are no longer available. A replacement set including Impuls380 cistern inlet valve and adaptor is available.

Warning: Upon replacement of filling valve, the installer must ensure the cistern fill and spill level is correctly adjusted!

The details below will assist in the Servo valve identification and replacement.



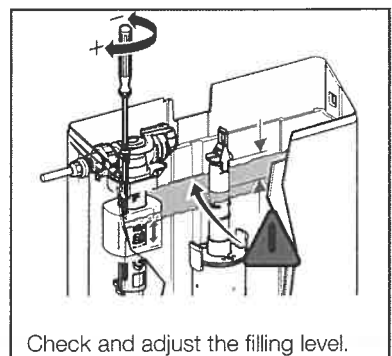
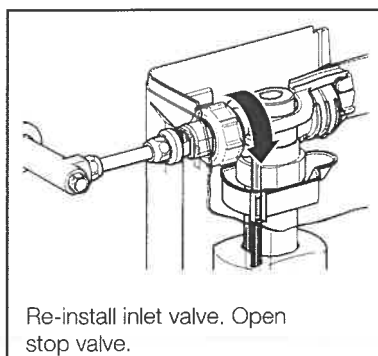
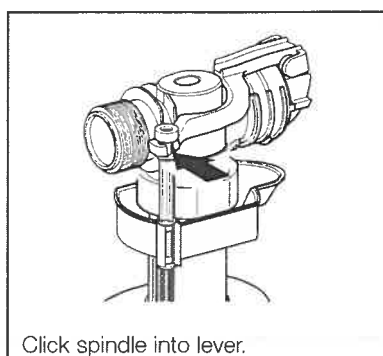
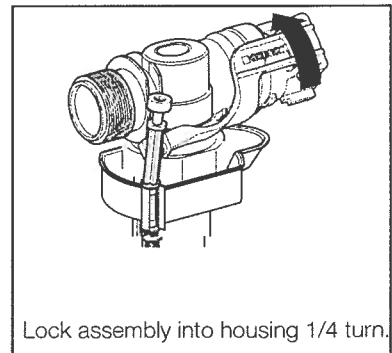
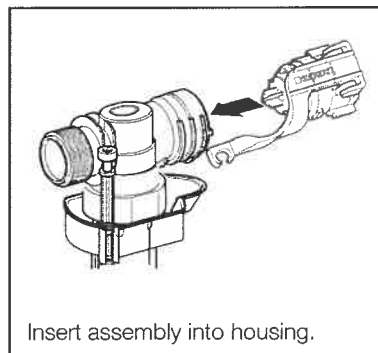
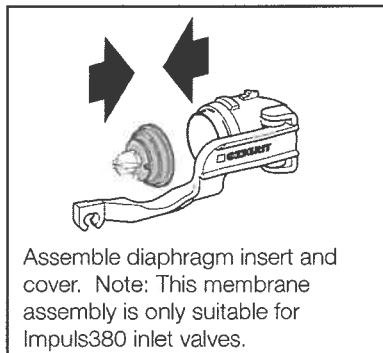
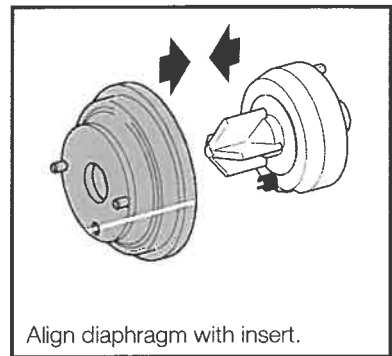
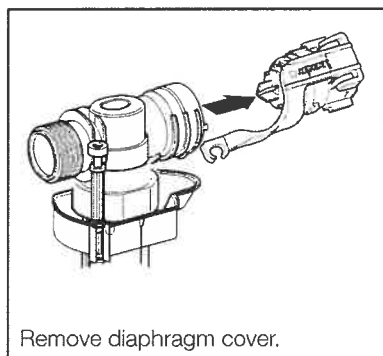
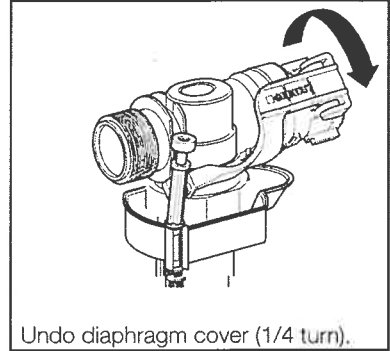
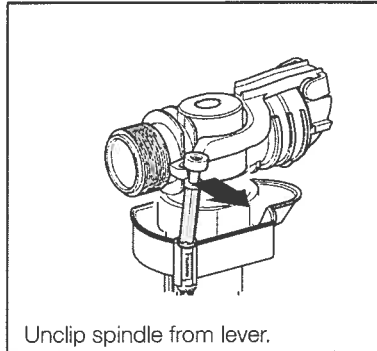
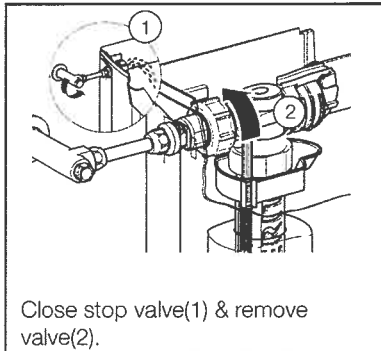
Accessories

If the old servo valve was clipped to the overflow pipe of the Geberit outlet valve, the existing clip has to be replaced with a new clip Art. No. 170.393.00.1.



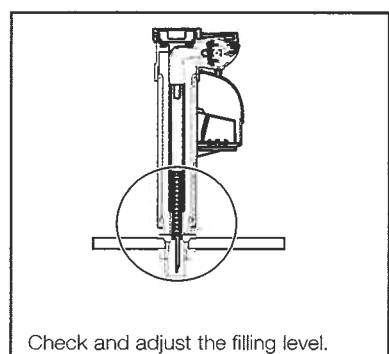
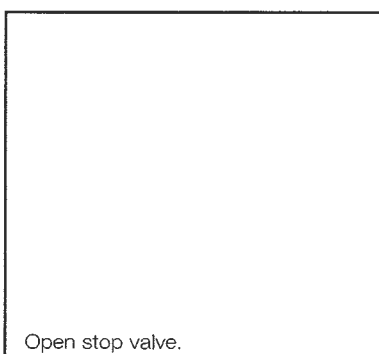
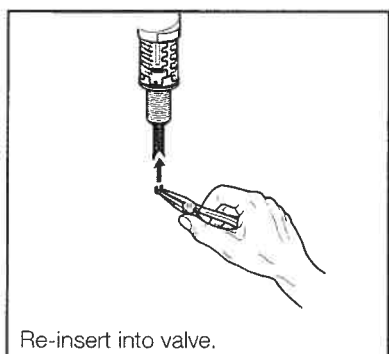
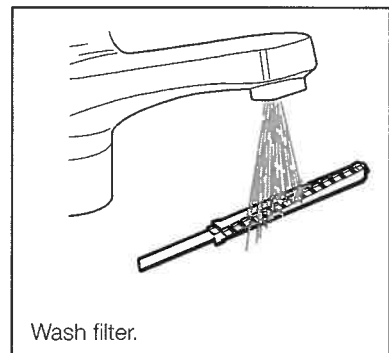
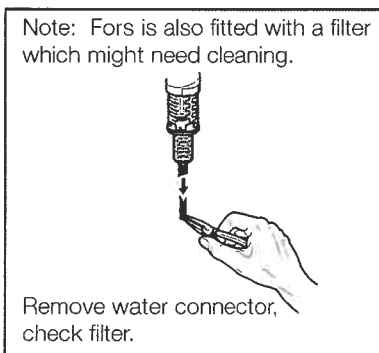
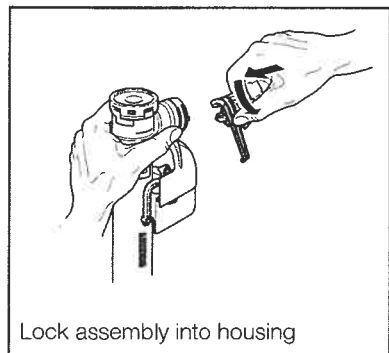
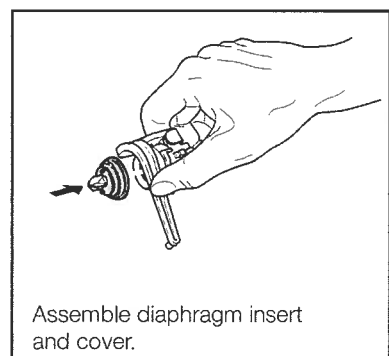
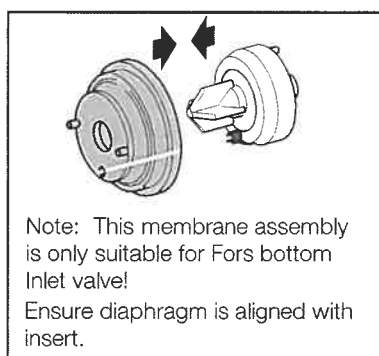
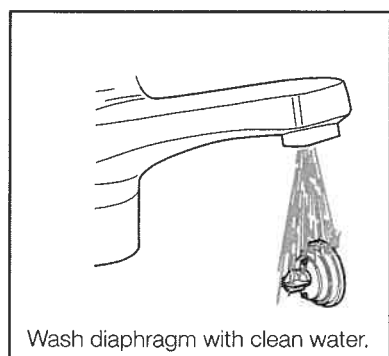
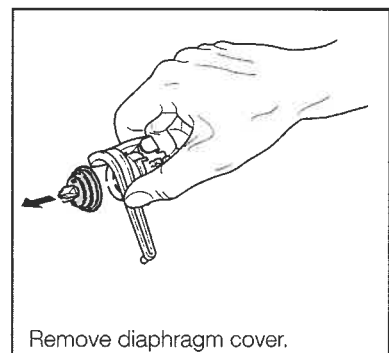
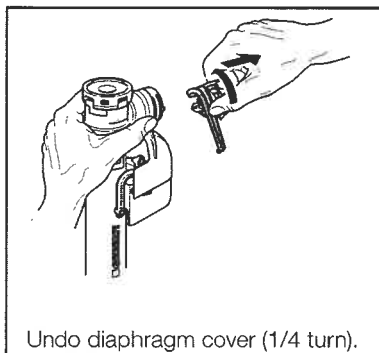
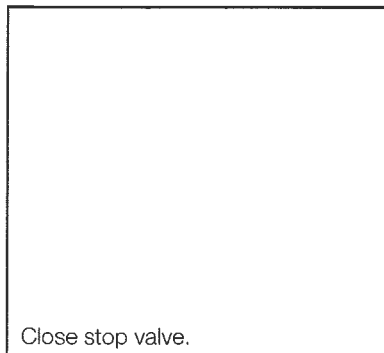
Art. No.	Description
170.393.00.1	Inlet valve clip

Impuls380 Service



Warning! Upon maintenance or replacement of filling valve, the installer must ensure the cistern fill and spill level is correctly adjusted and complies with AS 1172.2 and AS/NZS 3500.1.

Fors Service



Warning! Upon maintenance or replacement of filling valve, the installer must ensure the cistern fill and spill level is correctly adjusted and complies with AS 1172.2 and AS/NZS 3500.1.