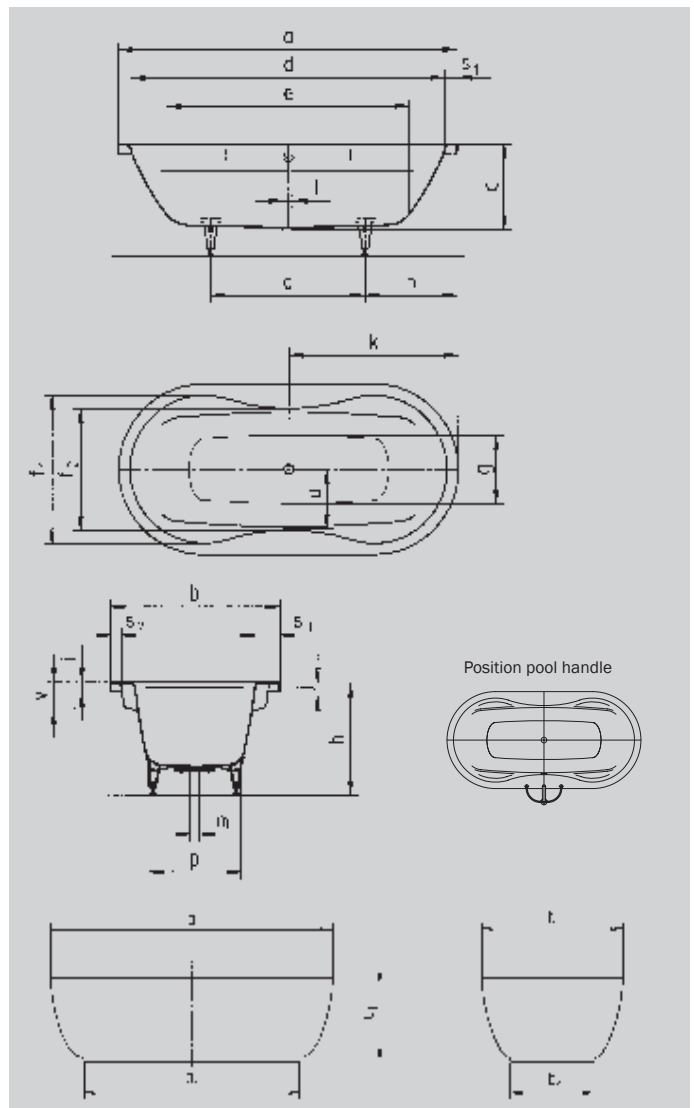


# MEGA DUO OVAL

- Designed for bathing with a friend with two identical back rests and centrally positioned waste
- wide arm rests on both sides provide optimum bathing comfort
- made of Kaldewei steel enamel 3.5 mm
- the moulded panel emphasises the high design standard and enables the bath to be free-standing
- **30 YEAR WARRANTY**



EASY CLEAN



Model No.		184
External length	a	1800mm
External width	b	900mm
Depth	c	450mm
Internal length (top)	d	1680mm
<b>Internal length (bottom)</b>	<b>e</b>	<b>1290mm</b>
Internal width (top)	f <sub>1</sub> ; f <sub>2</sub>	780; 640mm
Internal width (bottom)	g	360mm
Height with feet	h	565-600mm
Height of rim	i	50mm
Distance top edge to centre of overflow hole	j	70mm
Distance bath edge to centre of drain hole	k	900mm
Diameter of overflow hole	l	52mm
Diameter of drain hole	m	52mm
Distance foot end of bath edge to centre of foot	n	490mm
Distance between the feet	o	820mm
Max. width of feet	p	480mm
Width of rim (foot end; lengthwise)	s <sub>1</sub> ; s <sub>2</sub> ; s <sub>3</sub>	60; 60; 130mm
Distance between centre holes	u	310mm
Armrest depth	v	140mm
Water volume** in litres		186 litres
Weight of the enamelled bath in kg		55kg
Anti-slip		435mm
Full anti-slip		900 x 300mm
Surround external length	a <sup>1</sup>	1380mm
Surround external width	b <sup>1</sup>	540mm
Overall height with surround	c <sup>1</sup>	580mm

Note: The operational system may protrude on some whirl systems.  
Please refer to the Technical Information for Whirl Systems for further information.  
Subject to technical alterations, tolerances and errors. Similar illustration.  
\*\* 70 litres displacement on average.

**KALDEWEI**