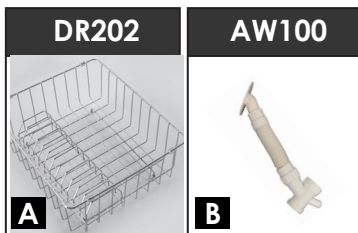
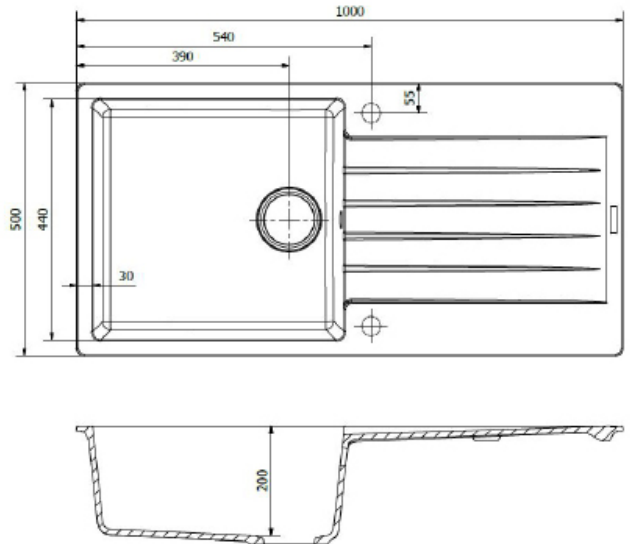




# MONARCH 1000 SINK WITH DRAINER MIDNIGHT SKY

**Product Image** **Technical Specification**



Description	
Monarch 1000 Sink with Drainer Midnight Sky	
<b>L9010-BSRB</b>	1 Tap Hole, RH Drainer
<b>L9010-BSLB</b>	1 Tap Hole, LH Drainer
<b>L9010-BS</b>	No Tap Hole

Additional Information
<ul style="list-style-type: none"> <li>• Overflow</li> <li>• 78% Quartz, 21% Resins, 1% enriching additives</li> <li>• Thermal Shock Resistant</li> <li>• Stain &amp; Bacteria Resistant</li> <li>• Top mount Installation</li> <li>• 36 Litre Capacity</li> <li>• Suit 500 carcass or larger</li> </ul>
<p><b>INSTALLATION DISCLAIMER</b>                      ALL TEMPLATES, LINE DRAWINGS &amp; ELECTRONIC FILES ARE SUPPLIED AS A GUIDE ONLY. PLEASE CROSS CHECK WITH ACTUAL BOWL BEFORE COMMENCING ANY CUTOUT AND ENSURE RADII ARE SUITABLE TO BENCHTOP MATERIAL TOLERANCES. ARGENT ACCEPTS NO RESPONSIBILITY FOR CUTOUT ERRORS.                      *SINKS WITH OVERFLOWS WILL NEED ALLOWANCE IN BENCHTOPS WHEN TOP MOUNTING – PLEASE CROSS CHECK WITH ACTUAL BOWL TO ASSIST*</p>

