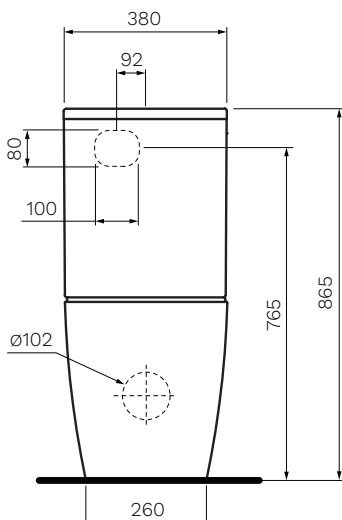
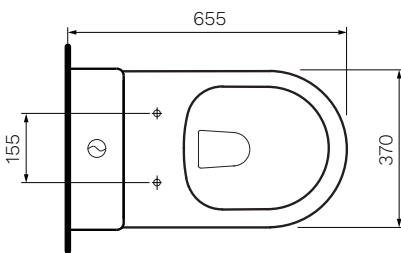
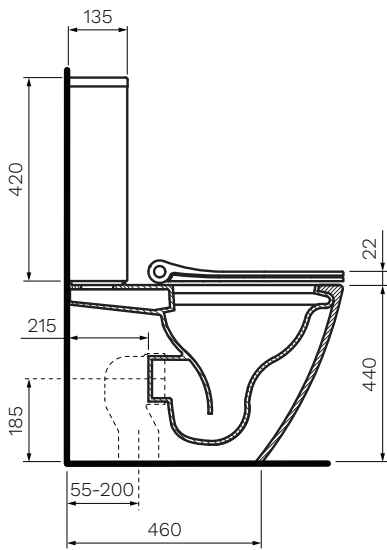


## Ellisse MKII Ambulant Wall Faced Suite with Pressalit Seat

**Product Code: PN82P**

The Ellisse MKII Ambulant Toilet Suite is designed to meet the compliance requirements of AS1428.1-2009. The elevated height of the pan assists persons whose mobility is impaired. PARISI have combined the superbly designed Pressalit seat with this accommodating toilet suite. The Pressalit seat brings Scandinavian luxury into the bathroom, with a highly functional, elegantly designed and visually appealing toilet seat ideal for virtually any setting.



Gloss White



**reddot design award  
winner 2016**

\*PN5620



<b>Colour &amp; Finish</b>	— White Gloss
<b>Material</b>	— Ceramic
<b>W x D x H</b>	— 380 x 655 x 865mm
<b>Rim Type</b>	— PARISI Rimless
<b>Seat Type</b>	— Soft Close, Slim profile, Easy Lift-off hinges, Antibacterial Polygiene (PN5620)
<b>Surface Hygiene</b>	— Easyclean Antibacterial Protection
<b>P Trap</b>	— 185mm height FFL
<b>S Trap</b>	— 55 - 200mm using PN0030 connector (included)
<b>Water Inlet</b>	— Back Inlet 765mm height FFL / Bottom Inlet L&R
<b>WELS</b>	— 4 STAR 4.5/3L 3.2L Average Flush
<b>Warranty</b>	— 10 Years (Conditions Apply)

PARISI



**RIMLESS**



PRESSALIT