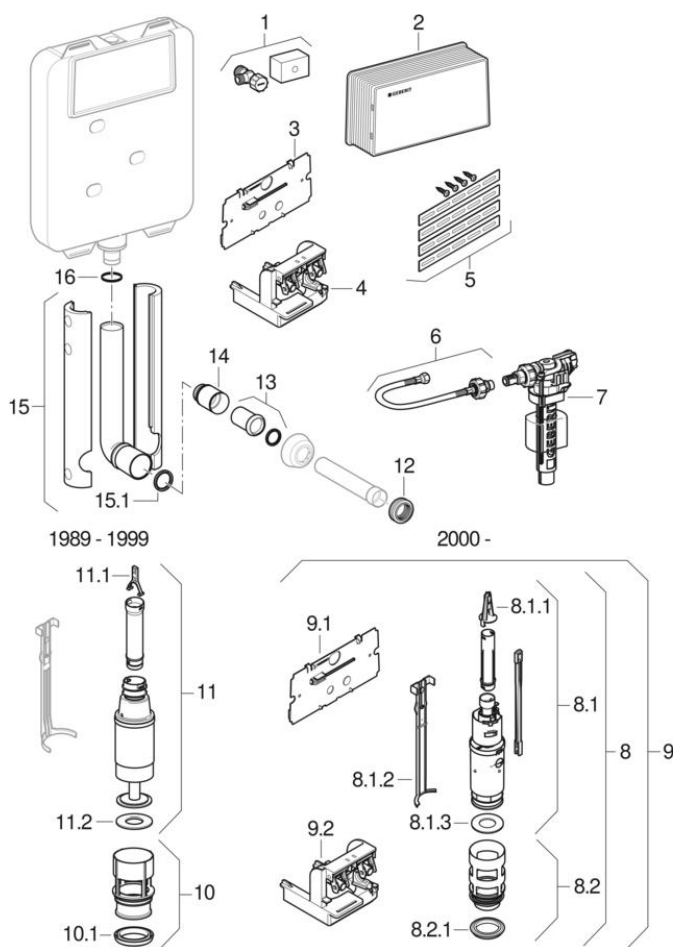


Twinline concealed cisterns 8 cm (UP170, 110.700)

1989 - 2016



Brand Geberit

Type Twinline 8 cm, UP170

Characteristics

| | |
|---------------------------|--|
| Year of manufacture from | 1989 |
| Year of manufacture until | 2016 |
| Dimensions / Design | Service opening: 29.5 x 15.5 cm, cistern: 44 x 54 cm |
| Range | 110.700 |

Valid for articles

110.707.00.1

Related spare parts

- Overview actuator plates and cover plates for Twinline concealed cisterns

| # | Art. no. | Description |
|-------|--------------|---|
| 1 | 240.644.00.1 | Stop cock for UP170 |
| 3 | 240.512.00.1 | Inner cover / pushplate opening for UP170 |
| 4 | 240.511.00.1 | Transmission block / dual flush for 110.708 cisterns |
| 5 | 241.017.00.1 | Wall support bracket - UP170 |
| 6 | 240.989.00.1 | Flexible hose with 3/8" female nut for rear inlet valve Impuls380 (222.013) |
| 8.1 | 240.502.00.1 | Outlet valve dual flush UP170, complete. |
| 8.1.1 | 241.167.00.1 | Flush valve shackle |
| 8.1.2 | 240.507.00.1 | Holding down clamp outlet valve for UP170 |
| 8.1.3 | 816.418.00.1 | Seal / washer (flush valve) size 63mmx32mm |
| 8.2 | 240.500.00.1 | Basket complete with seal for UP170 |
| 9.1 | 240.512.00.1 | Inner cover / pushplate opening for UP170 |
| 9.2 | 240.511.00.1 | Transmission block / dual flush for 110.708 cisterns |
| 11 | 215.299.00.1 | Single flush valve for (110.700 cistern) |
| 11.1 | 241.167.00.1 | Flush valve shackle |
| 12 | 119.668.00.1 | Rubber seal for flush pipe to toilet inlet 55mm |
| 14 | 362.796.92.1 | Protector plug for flush bend UP170 |
| 15.1 | 362.771.00.1 | Rubber ring seal for flush bend UP170 |



-
- Only the listed articles are available