
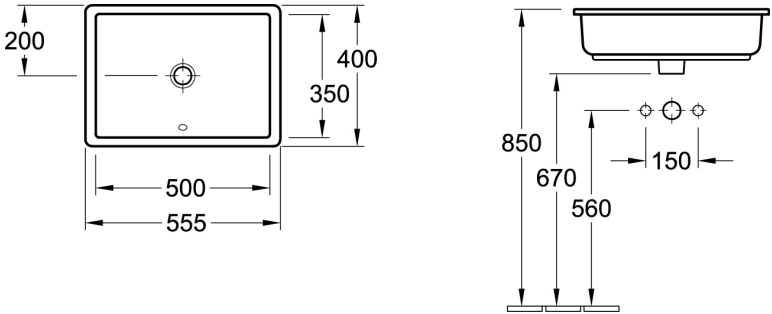




## ARCHITECTURA LARGE UNDER COUNTER BASIN

Product Image	Technical Specification
	

Description	Additional Information
<p>Architectura Large Under Counter Basin</p> <p><b>41525001</b>                      550x400x150cm</p>	<ul style="list-style-type: none"> <li>• 5 Year Warranty *Conditions Apply</li> <li>• Recommended waste 94240</li> </ul>

