

NANOBAR WALL SET WITH METAL LEVERS

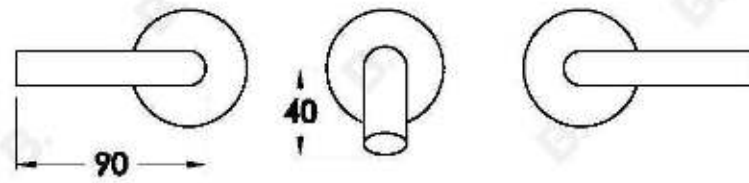
1.9206.00.3.XX

1.9206.50.3.XX - Flow controlled variant

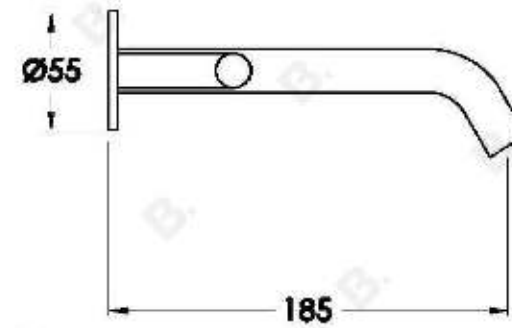


PRODUCT DIMENSIONS:

Front view:



Side view:



Top view:

