

PLUMBERS INSTALLATION INSTRUCTIONS

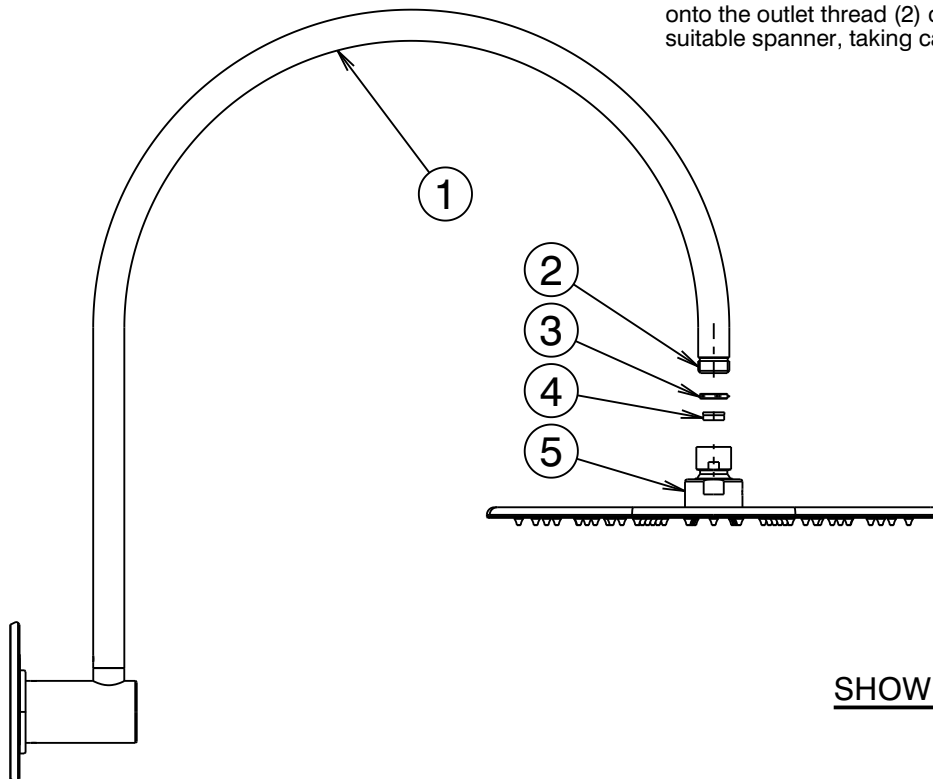
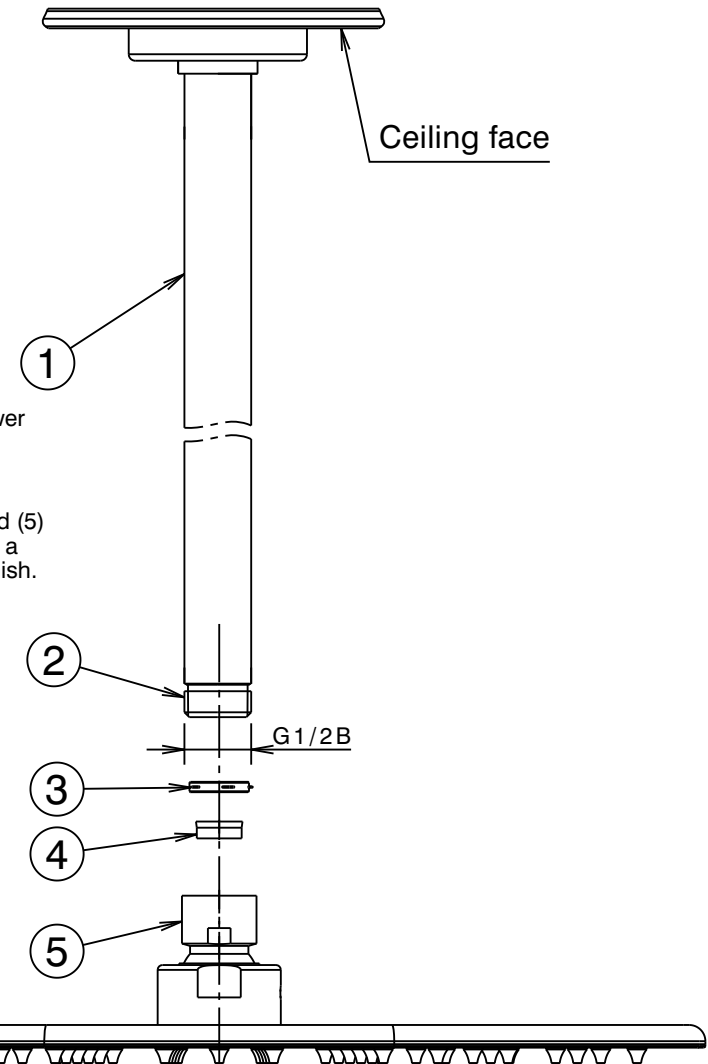
Important Information

- * Shower head (5) is fitted with a flow regulator (4). This lower flow rate may not be suitable for connection to some gravity fed Water Heaters, low pressure supply networks, Instantaneous Water Heaters, Tempering Valves, Solar Water Heaters & Thermostatic Mixing Valves. Check with the manufacturers of these products.
Note: Warranty is void if flow regulators (4) is not installed as shown.
- * Not suitable for gravity feed systems.
- * All pipework must be thoroughly flushed prior to installation, as foreign materials may block the flow regulating device and reduce the flow of water.
- * Where showers incorporate flow controllers, care must be taken during installation to ensure that the male connecting threads do not damage flow controllers.

IMPORTANT	
<u>Pressure & Temperature Requirements.</u>	
•	Hot and cold water inlet pressures should be equal.
•	Static inlet pressure range : 150 -1000 kPa New Regulation :-500 kPa maximum static pressure at any outlet within a building. (Ref. AS/NZS 3500.1)
•	Maximum hot water temperature : 80°C.

Installation

- 1) Shower arm(1) must be installed before proceeding with shower head installation, refer to the individual instructions supplied with the shower arms.
- 2) Ensure strainer washer (3) & flow regulator (4) are fitted to the inlet socket of the showerhead (5), then screw the showerhead (5) onto the outlet thread (2) of the shower arm (1). Tighten using a suitable spanner, taking care not to damage the decorative finish.



SHOWERHEAD INSTALLATION