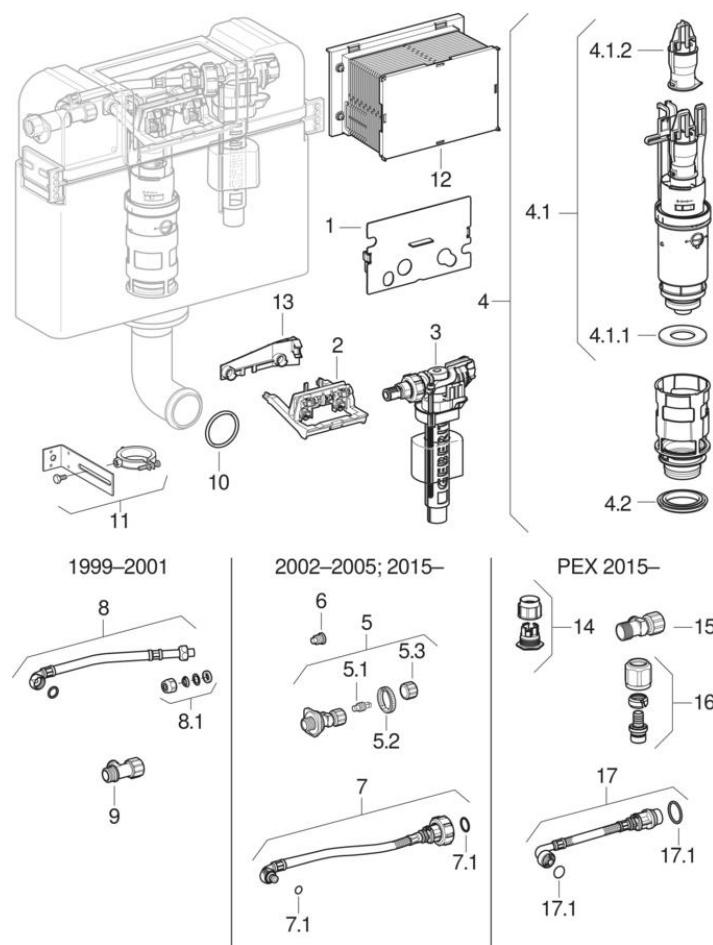


Kappa concealed cisterns 15 cm (UP120, Artline), also for PEX connector

1998 - 2025



Type Artline, Kappa 15 cm

Characteristics

Year of manufacture from	1998
Year of manufacture until	2025
Dimensions / Design	Service opening: 18 x 11 cm, cistern: 39.5 x 35 cm
Range	UP120 (Artline)

Valid for articles

110.206.00.1 111.262.00.1 224.368.00.1

Related spare parts

- WC flush controls with pneumatic flush actuation, single flush, exposed actuator
- Overview actuator plates and cover plates for Kappa concealed cisterns
- WC flush controls with pneumatic flush actuation, dual flush, surface-mounted actuator
- WC flush controls with pneumatic flush actuation, single flush, concealed actuator
- WC flush controls with pneumatic flush actuation, single flush, wall-mounted foot actuator
- WC flush controls with pneumatic flush actuation, single flush, with locked nuts, concealed actuator, for furniture
- Actuator plates Artline, Kappa, for dual flush
- HyTouch WC flush controls, manual / pneumatic, single flush
- WC flush controls with pneumatic flush actuation, dual flush, concealed actuator
- WC flush controls with pneumatic flush actuation, dual flush, with locked nuts, concealed actuator
- WC flush controls with pneumatic flush actuation, single flush, with locked nuts, for institutions

Brand Geberit

#	Art. no.	Description	Replacement for	Remarks
1	240.206.00.1	Geberit protection plate for Kappa concealed cistern 15 cm		
2	240.079.00.1	Geberit support block for Artline concealed cistern		
3	240.705.00.1	Geberit Type 380 fill valve, lateral water supply connection, 3/8", nipple made of brass: H=24.3cm		
3	240.714.00.1	Geberit Type 380 fill valve, lateral water supply connection, 3/8", nipple made of brass		
3	240.719.00.1	Geberit Type 380 fill valve, lateral water supply connection, 3/8", nipple made of brass		
3	240.784.00.1	Geberit Type 380 fill valve, lateral water supply connection, 3/8", nipple made of brass		
3	244.595.00.1	Geberit Type 380AG fill valve, lateral water supply connection, 3/8", nipple made of brass	242.984.00.1, 242.985.00.1	
3	SPT_461085	Fill valves type 380, lateral water supply connection		
4	240.637.00.1	Geberit complete flush valve, for Kappa concealed cistern	241.859.00.1	
4.1	240.638.00.1	Geberit flush valve for concealed cistern Kappa	240.122.00.1	
4.1.1	816.418.00.1	Geberit flat gasket for flush valve for exposed and concealed cistern: d=63mm, di=32mm		

#	Art. no.	Description	Replacement for	Remarks
4.1.2	241.167.00.1	Geberit flush valve bracket for flush valves		
4.2	240.282.00.1	Geberit section seal		
4.2	241.868.00.1	Geberit section seal for concealed cisterns 12 / 15 cm (from year of manufacture 2008)		For basket art. no. 241.859.00.1
5	240.269.00.1	Geberit water supply connection with integrated angle stop valve	240.177.00.1	
5	240.847.00.1	Geberit water supply connection with integrated angle stop valve, resistant to seawater		
5.1	240.298.00.1	Geberit spindle for angle valve with handwheel, left thread		For use with hand wheel
5.2	241.857.00.1	Geberit counternut made of plastic		
5.3	240.347.00.1	Geberit hand wheel for angle stop valve		
6	240.925.00.1	Geberit spindle for angle stop valve	245.930.00.1	
7	240.629.00.1	Geberit type 380 reinforced hose for Kappa concealed cistern 15 cm	240.846.00.1	
7	240.817.00.1	Geberit type 380 reinforced hose, dezincification-resistant, for Kappa concealed cistern 15 cm		
7.1	240.922.00.1	Geberit set of seals for reinforced braided hose		
8	240.329.00.1	Geberit reinforced braided hose for concealed cistern		
8.1	294.833.21.1	Geberit cone screw fitting R 3/8": bright chrome-plated		
9	240.596.00.1	Geberit angle valve for Kappa and Alpha concealed cisterns 11 cm		
9	240.644.00.1	Geberit angle stop valve for concealed cisterns, resistant to seawater		
10	362.771.00.1	Geberit lip seal for flush pipe: d=45mm	890.667.00.1	
11	241.378.00.1	Geberit flush pipe fastening		
12	240.172.00.1	Geberit protection box for service opening, for Kappa concealed cistern		
13	244.131.00.1	Geberit fastening plate for Kappa concealed cistern		
14	241.696.00.1	Geberit protective tube adapter		
15	241.526.00.1	Geberit angle stop valve		
16	241.882.00.1	Geberit water supply connection set for PEX pipes: d=15mm, s=2.5mm		
16	241.883.00.1	Geberit water supply connection set for PEX pipes: d=16mm, s=2.2mm		
17	240.636.00.1	Geberit reinforced braided hose for PEX connector, for Kappa concealed cistern 15 cm		
17.1	240.922.00.1	Geberit set of seals for reinforced braided hose		



- Only the listed articles are available