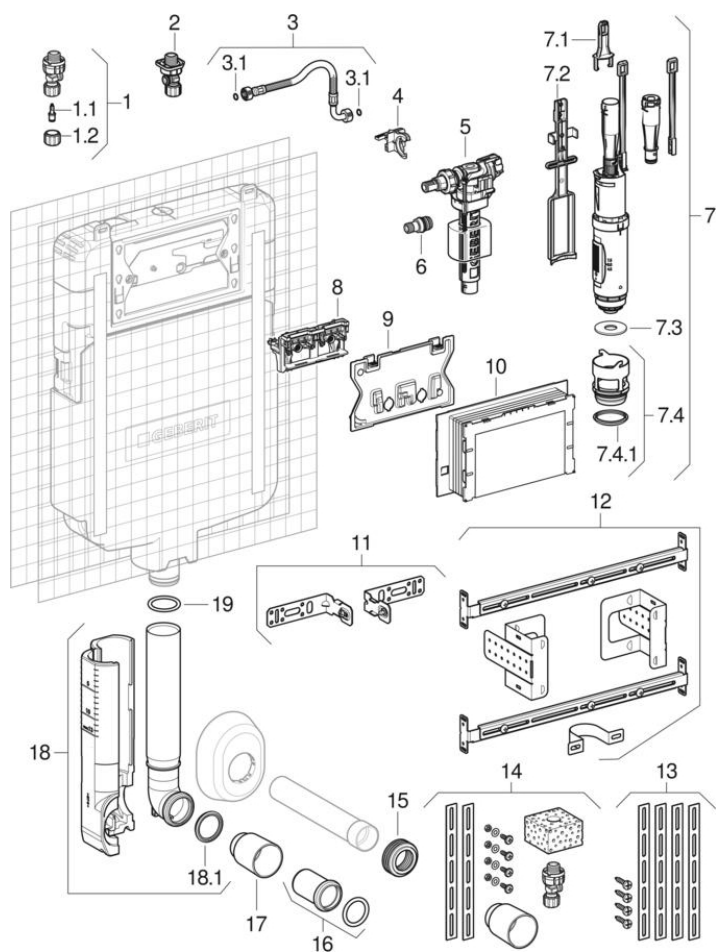


Sigma concealed cisterns 8 cm, series 2016

2016 -



Brand Geberit

Type Sigma 8 cm

Characteristics

Year of manufacture from	2016
Range	Sigma 8 cm (2016) / Sigma 8 cm, series 2016

Valid for articles

109.799.00.1 109.780.00.1 109.791.00.1

#	Art. no.	Description	Replacement for
1	242.414.00.1	Geberit angle stop valve for Sigma concealed cistern 8 cm	
1.1	240.298.00.1	Geberit spindle for angle valve with handwheel, left thread	
1.2	240.347.00.1	Geberit hand wheel for angle stop valve	
2	240.847.00.1	Geberit water supply connection with integrated angle stop valve, resistant to seawater	
3	243.175.00.1	Geberit reinforced braided hose for Sigma concealed cistern 8 cm	
3	243.176.00.1	Geberit reinforced braided hose for Sigma concealed cistern 8 cm	
3	243.357.00.1	Geberit reinforced braided hose for Sigma concealed cistern 8 cm (from year of manufacture 2016)	
3.1	240.922.00.1	Geberit set of seals for reinforced braided hose	
4	243.279.00.1	Geberit mounting clip for fill valve type 380 and Sigma concealed cistern 8 cm (from year of manufacture 2016)	
5	240.714.00.1	Geberit Type 380 fill valve, lateral water supply connection, 3/8", nipple made of brass	
5	240.784.00.1	Geberit Type 380 fill valve, lateral water supply connection, 3/8", nipple made of brass	
5	244.595.00.1	Geberit Type 380AG fill valve, lateral water supply connection, 3/8", nipple made of brass	242.984.00.1, 242.985.00.1
5	SPT_461085	Fill valves type 380, lateral water supply connection	
6	241.670.00.1	Geberit connecting nipple for fill valve type 380	
7	241.290.00.1	Geberit type 208 flush valve	
7.1	241.167.00.1	Geberit flush valve bracket for flush valves	

#	Art. no.	Description	Replacement for
7.2	241.292.00.1	Geberit holding-down clamp for concealed cistern 8 cm	
7.3	241.291.00.1	Geberit flat gasket for flush valve	
7.4	242.269.00.1	Geberit type 208 basket for concealed cistern	
7.4.1	241.293.00.1	Geberit section seal for concealed cisterns 8 / 7.5 cm (from year of manufacture 2004)	
8	243.344.00.1	Geberit support block for Sigma concealed cistern 8 cm	
9	242.418.00.1	Geberit protection plate for Sigma concealed cistern	
10	243.345.00.1	Geberit protection box for service opening for Sigma concealed cistern, length 5 cm, parallel	
11	243.346.00.1	Geberit set of fixing brackets 8 / 12 cm (2 pc.)	
12	243.272.00.1	Geberit mounting set for drywall constructions, for Sigma concealed cistern 8 cm	
13	241.017.00.1	Geberit slotted flat iron with screws	
14	241.297.00.1	Geberit installation accessoires for Sigma concealed cistern 8 cm	
15	119.668.00.1	Geberit sleeve for flush pipe connection: d=45mm	119.600.00.1
16	855.600.00.1	Geberit ring seal socket with seal	
17	362.796.92.1	Geberit protection plug: d=44.6mm	
18	241.294.00.1	Geberit flush bend with flush bend guide: d=56mm, L=5.2cm	
18.1	362.771.00.1	Geberit lip seal for flush pipe: d=45mm	890.667.00.1
19	892.975.00.1	Geberit O-ring for outlet connection piece	



- Only the listed articles are available