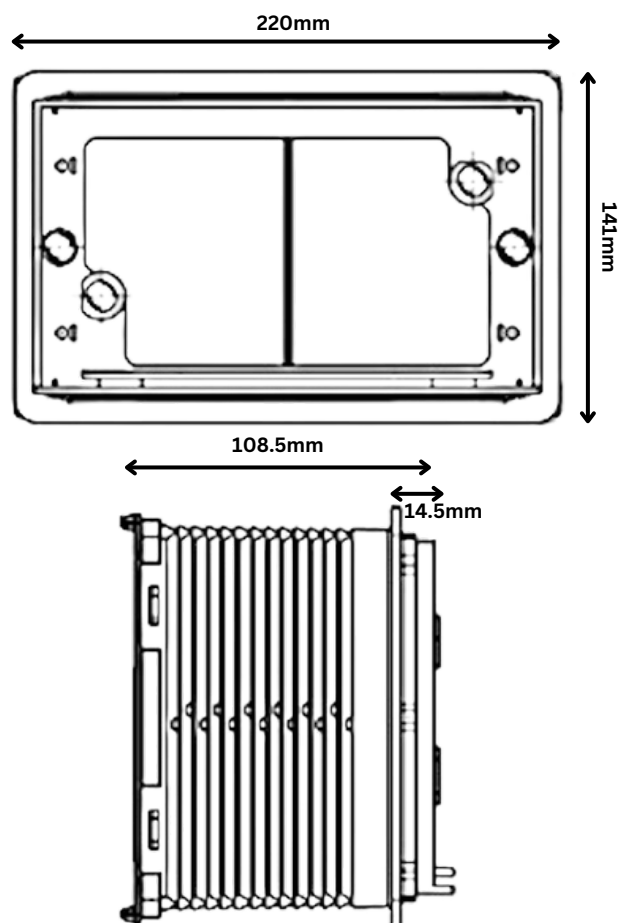


Geberit Sigma Adaptor for Kappa Cisterns

■ GEBERIT



Characteristics

- Mechanical
- Must be fitted with the Geberit Kappa Cistern at rough in
- Suitable with Sigma50, Sigma21, Sigma20, Sigma30 & Sigma01 Buttons
- Top plate also called a blanking plate
- The flush plate can be installed either on the top or the front of the cistern

Fit Off Installation

- Remove the Blue cover from the Installation Duct
- Remove the inner cover
- Trim the Installation Duct back flush with the wall
- Bend the 4 sides of the Installation Duct to snap
- Trim the Locking Rods down to 1mm less than the depth from the Mounting Frame surface to the back of the Sigma Adaptor
- Secure the Mounting Frame to the Sigma Adaptor with the shortened Locking Rods, rotating them 90 deg to lock them into plate
- Slide the blue wedges down/up
- Ensure the Mounting Frame is level
- Check the length of the Push Rods, ensuring the Push Rods do not hit the back of the cistern tank.
- Adjust the length of the Push Rods by snapping off the end.
- Screw the Push Rods into the transmission block leaving the Push Rods protruding 26mm past the surface of the Mounting Frame
- Place the Rod Guide onto the Push Rods to stop them from Jamming
- Hook the Flush Plate onto the bottom spring and clip it over the top by lifting the plate

225.008.00.1